

PARTS LIST

[UX-V30]
[FS-V30]

* All printed circuit boards and its assemblies are not available as service parts.

Area suffix UX-V30	
A -----	Australia
UB -----	Hong Kong
UP -----	Korea
US -----	Singapore
UT -----	Taiwan
UY -----	Argentina

Area suffix FS-V30	
J -----	U.S.A.

- Contents -

Exploded view of general assembly and parts list	3- 2
Cassette mechanism and parts list	3- 5
Electrical parts list	3-10
Packing materials and accessories parts list	3-20

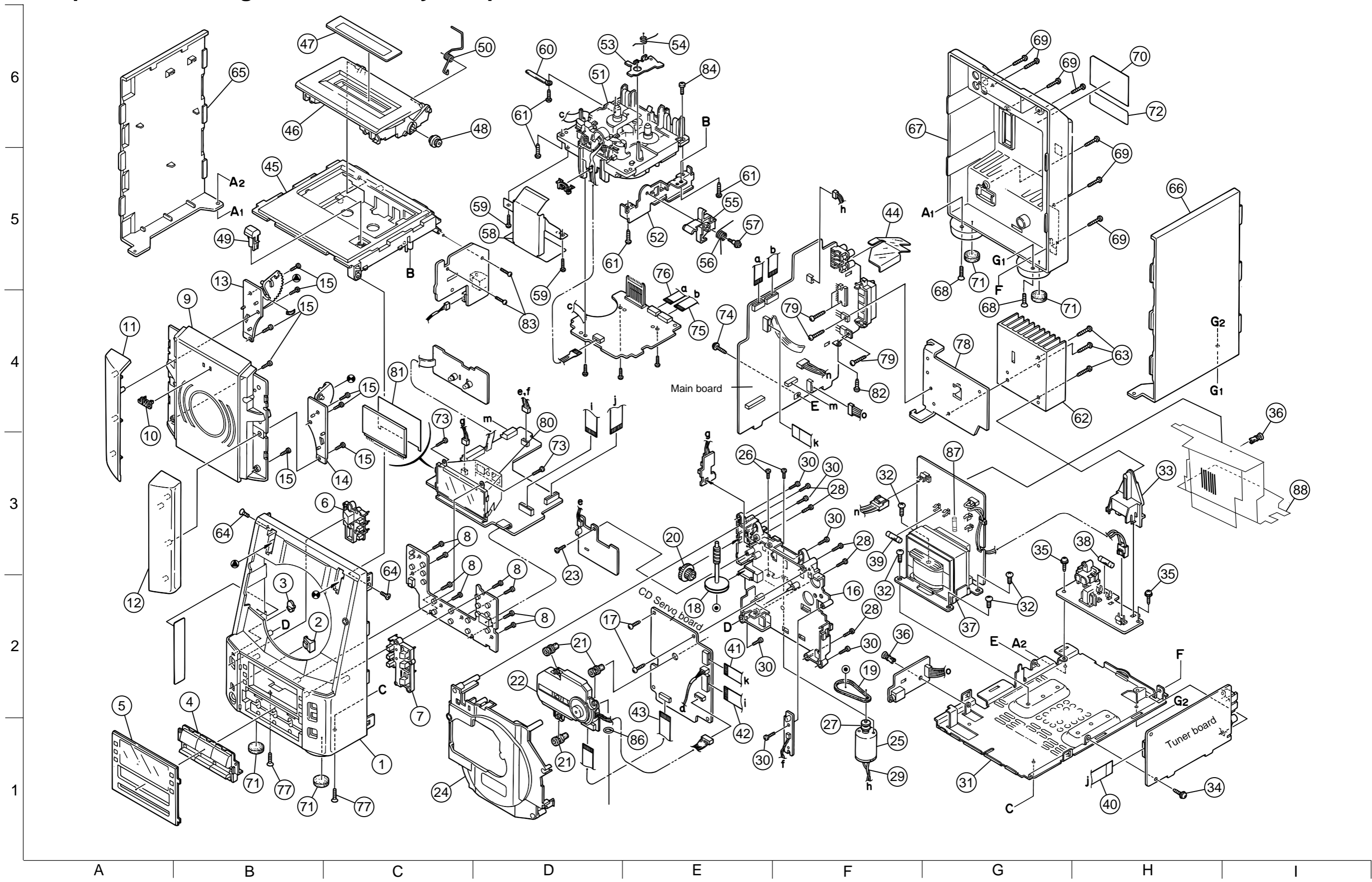
■ Parts list (General assembly)

Block No. M1MM

△	Item	Parts number	Parts name	Q'ty	Description	Area
	1	GV10020-009A	FRONT PANEL	1	FS-V30	
		GV10020-013A	FRONT PANEL	1	UX-V30	
	2	GV40067-001A	REMOTE LENS	1		
	3	GV40068-001A	STANDBY LENS	1		
	4	GV30060-003A	FRONT BUTTON AS	1	F.BTN+FUNC.BTN	
	5	GV40116-002A	FRONT LENS ASSY	1		
	6	GV30063-001A	POWER BUTTON	1		
	7	GV30064-001A	VOLUME BUTTON	1		
	8	QYSDSF2608Z	SCREW	1	SW.PWB+FR.PANEL	
	9	GV20044-009A	CD DOOR LENS	1	UX-V30	
		GV20044-013A	CD DOOR LENS	1	FS-V30	
	10	GV40077-001A	JVC BADGE	1		
	11	GV30065-001A	CD DOOR PLATE L	1		
	12	GV30065-002A	CD DOOR PLATE R	1		
	13	GV30066-001A	CD DOOR HOLDER	1	DOOR LEFT	
	14	GV30066-002A	CD DOOR HOLDER	1	DOOR RIGHT	
	15	QYSDSF2006M	SCREW	8	CD DOOR ASSY	
	16	GV20046-003A	CD CHASSIS	1		
	17	QYSDSF2608Z	T.SCREW	2	CD PWB+CD CHASI	
	18	GV40072-002A	WORM PULLEY	1		
	19	GV30038-001A	BELT	1		
	20	GV40071-002A	GEAR	1		
	21	GV40070-001A	INSULATOR	3		
	22	KSM-770ABA	CD MECHA	1		
	23	QYSDSF2608Z	SCREW	1		
	24	GV20045-002A	CD CASE	1		
	25	MXN-13FB12F	DC MOTOR ASS'Y	1		
	26	QYSPSP3004Z	SCREW	2	MOTOR+CD CHASSI	
	27	VYH7699-001SS	PULLEY	1		
	28	QYSDSF2608Z	SCREW	5	CD CHASSIS+CD C	
	29	WJM0112-001A	E-SI C WIRE C-F	1		
	30	QYSDSF2608Z	SCREW	5	CD CHASIS+F.PAN	
	31	GV10021-001A	BOTTOM CHASSIS	1		
	32	QYSBST4006Z	T.SCREW	4	TRANS+B.CHASSIS	
	33	GV30073-001A	JACK HOLDER	1		
	34	QYSBSTG3006Z	T.SCREW	1	TUNER PWB+B.CHA	
	35	QYSBSTG3006Z	T.SCREW	2	AC J.PWB+B.CHAS	
	36	FMYH4004-001	PLASTIC RIVET	2	H.P PWB+B.CHASS	
△	37	QQT0284-001	POWER TRANSF.	1	FS-V30	J
△		QQT0284-002	POWER TRANSF.	1	UX-V30	A
△		QQT0284-003	POWER TRANSF.	1	UX-V30	UB UP US UT UY
△	38	QMF51E2-1R0-J1	FUSE	1	UX-V30 (F901)	UB UP US UT UY
△		QMF51U1-1R0	FUSE	1	FS-V30 (F901)	J
△		QMF51E2-R63-J1	FUSE	1	UX-V30 (F901)	A
△	39	QNF51E2-6R3-J1	FUSE	1	UX-V30 (F902)	UB UP US UT UY
△		QMF51U1-8R0-J1	FUSE	1	FS-V30 (F902)	J
	40	QUQ412-0908DJ	FFC WIRE	1		
	41	QUQ412-1022CJ	FFC WIRE	1	CD TO MAIN	

Exploded view of general assembly and parts list

Block No. M 1 M M



■ Parts list (General assembly)

Block No. M1MM

△	Item	Parts number	Parts name	Q'ty	Description	Area
	42	QUQ412-1320CJ	FFC WIRE	1	CD TO FMB	
	43	QUQ110-1607BJ	FFC WIRE	1		
	44	GV40111-001A	PROTECT SHEET	1		
	45	GV10022-001A	TOP COVER	1		
	46	GV20047-001A	CASS DOOR	1		
	47	GV40074-001A	CASS DOOR LENS	1		
	48	VYH7366-001MM	GEAR	1		
	49	GV40073-001A	EJECT KNOB	1		
	50	GV40085-002A	DOOR SPRING	1		
	51	-----	S.CASSETTE MECH	1		
	52	VYH3965-001	SIDE BRACKET(R)	1		
	53	VKL7850-002	EJECT SAFTY(R)	1		
	54	VKW5258-002	TORSION SPRING	1		
	55	VYH8146-012	EJECT ARM(R)	1		
	56	VKW3006-230	TORSION SPRING	1		
	57	VKZ4341-004	SPECIAL SCREW	1		
	58	GV30071-001A	HEAD SHIELD	1		
	59	QYSBSF2606Z	SCREW	2	H.SHIELD+SLC.ME	
	60	VKZ4001-110S	WIRE HOLDER	1		
	61	QYSBSF3010Z	SCREW	4	SLC + TOP COVER	
	62	GV30068-001A	HEAT SINK	1		
	63	QYSPSF3010Z	TAP SCREW	3	H.SINK+IC HOLDE	
	64	QYSSSF3008Z	SCREW	2	T.COVER+F.PANEL	
	65	GV20048-001A	SIDE PANEL(L)	1		
	66	GV20048-002A	SUDE PANEL(R)	1		
	67	GV10023-011A	REAR PANEL	1	UX-V30	UB US UT UY
		GV10023-013A	REAR PANEL	1	FS-V30	J
		GV10023-009A	REAR PANEL	1	UX-V30	A UP
	68	QYSSST3010Z	SCREW	2	F.PANEL+B.CHASS	
	69	QYSBSF3010N	TAP SCREW	7	REAR PANEL	
	70	GV30099-015A	NAME PLATE	1	UX-V30	UT
		GV30099-012A	NAME PLATE	1	UX-V30	A
		GV30099-014A	NAME PLATE	1	UX-V30	UP
		GV30099-017A	NAME PLATE	1	FS-V30	J
		GV30099-013A	NAME PLATE	1	UX-V30	UB US UY
	71	GV40091-001A	FOOT	4		
	72	VND4118-004	CAUTION LABEL	1		
	73	QYSDSF2608Z	SCREW	2	L.CASE+F.PANEL	
	74	QYSBSTG3006Z	T.SCREW	1	M.BRD+B.CHASSIS	
	75	QUQ412-1024CJ	FFC WIRE	1	SLC TO MAIN	
	76	QUQ412-0924CJ	FFC WIRE	1	SLC TO MAIN	
	77	QYSSST3010Z	SCREW	2	R.PANEL+B.CHASS	
	78	GV30069-001A	I.C HOLDER	1		
	79	QYSBSF3010N	T.SCREW	4		
	80	GV30070-001A	LAMP CASE	1		
	81	GV40084-001A	L.C.D.SHEET	1		
	82	QYSBSFG3008Z	T.SCREW	1	M.BOARD +IC HOL	
	83	QYSBSF2606Z	SCREW	2		

■ Parts list (General assembly)

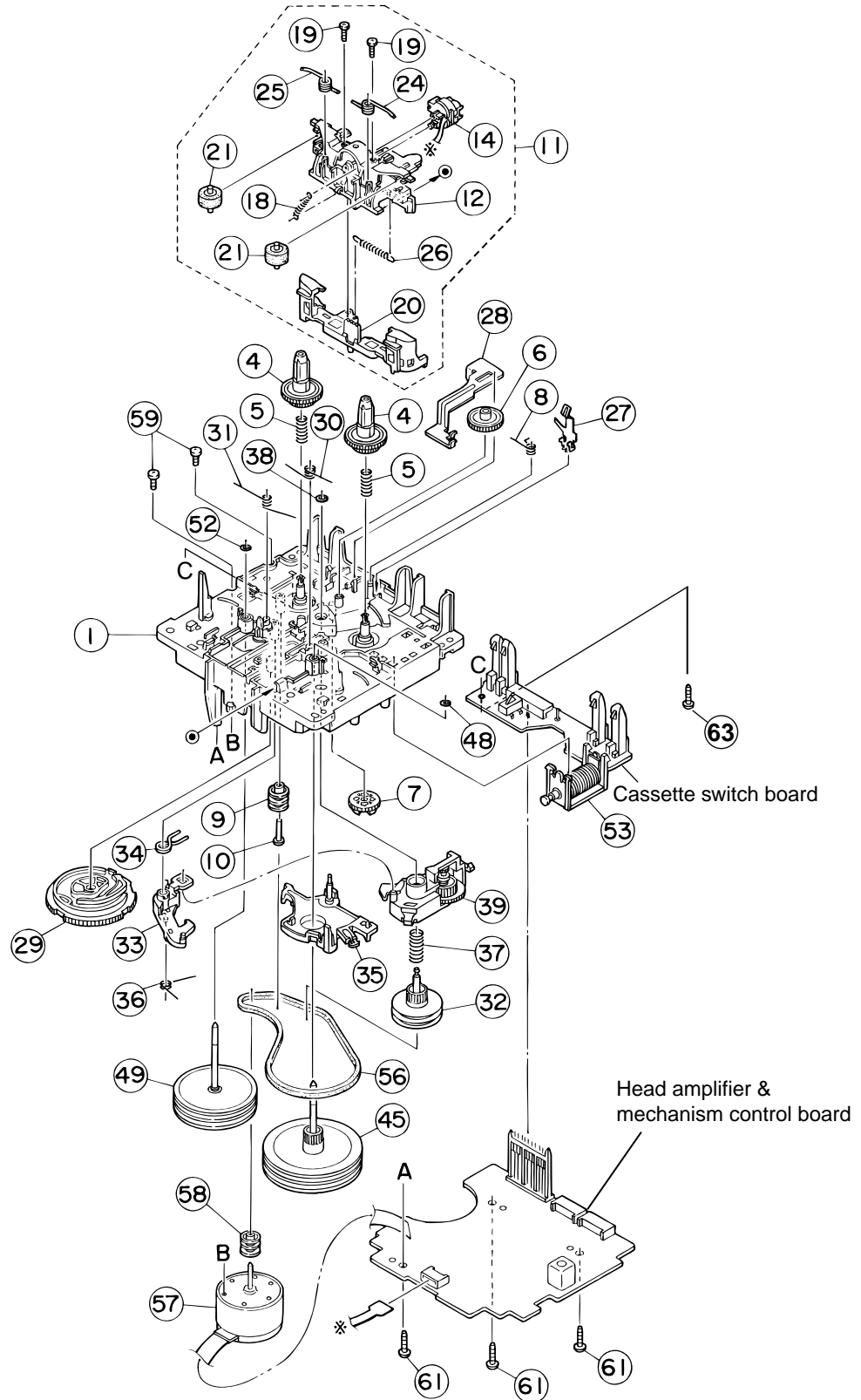
Block No. M1MM

△	Item	Parts number	Parts name	Q'ty	Description	Area
	84	QYSBSG3008Z	T.SCREW	1	SLC+SIDE BKT.	
	86	GV40122-002A	FOOT SPACER	1		
△	87	QMF51E2-R63-J1	FUSE	1	UX-V30 (F904)	UB US UT UY
	88	GV30121-001A	PROTECT SHEET	1	FS-V30	

Cassette mechanism assembly and parts list

Block No. M 2 M M

SLC-S1YPM



■ Parts list (Cassette mechanism)

Block No. M2MM

△	Item	Parts number	Parts name	Q'ty	Description	Area
	1	VKS1165-00G	CHASSIS B.ASS'Y	1		
	4	VKS2274-002	REEL GEAR	2		
	5	VKW5286-002	B.T. SPRING	2		
	6	VKS5559-001	PLAY IDLE GEAR	1		
	7	VKS5597-00A	BUND ASS'Y	1		
	8	VKW5296-001	EARTH SPRING	1		
	9	VKR4749-003	IDLE PULLEY	1		
	10	VKH5786-003	SHAFT	1		
	11	VKS2275-00E	HEAD MOUNT ASSY	1		
	12	VKS1167-003	HEAD MOUNT BASE	1		
	14	LV41089-001A	R/P&E HEAD	1	VKS2275-00B	
	18	VKW5302-001	HEAD SPRING	1		
	19	VKZ4730-001	SPECIAL SCREW	2		
	20	VKS2277-005	DIRECTION LEVER	1		
	21	VKP4233-00A	PINCH ROL. ASSY	2		
	24	VKW5299-002	PIN ROL.SP.(R)	1		
	25	VKW5300-002	PIN ROL.SP.(L)	1		
	26	VKW5285-001	RETURN SPRING	1		
	27	VKY3149-002	CASSETTE SP.	1		
	28	VKM3906-002	PLAY SW LEVER	1		
	29	VKS1166-003	CONTROL CAM	1		
	30	VKW5279-001	HEAD BASE SP(R)	1		
	31	VKW5280-001	HEAD BASE SP(L)	1		
	32	VKS5603-00D	MAIN PULLEY ASY	1		
	33	VKS3785-001MM	FR ARM	1		
	34	VKW5284-002	SWING SPRING	1		
	35	VKS2278-003	TRIGGER ARM	1		
	36	VKW5301-001	FR SPRING	1		
	37	VKW5266-001	ELEVATOR SPRING	1		
	38	WDL214025	WASHER	1		
	39	VKS3786-00G	CLUTCH ASS'Y	1		
	45	VKF3205-00B	F.WHEEL ASSY(R)	1		
	48	WDL183425	SLIT WASHER	1		
	49	VKF3207-00B	F.WHEEL ASSY(L)	1		
	52	WDL173525-6	SLIT WASHER	1		
	53	VKZ3174-00A	DC SOLENOID	1		
	56	VKB3000-181	CAPSTAN BELT	1		
	57	MSI-5U2LWA	D.C.MOTOR ASS'Y	1		
	58	VKR4761-001	MOTOR PULLEY	1		
	59	QYSPSP2604Z	SCREW	2		
	61	QYSBSF2608Z	T.SCREW	3	FOR P.W.B.	
	63	QYSBSF2006Z	SCREW	1		

Grease point 1/3

- | | |
|--------|----------|
| Grease | |
| * | EM-30L |
| ● | UD-24 |
| ◆ | LEN-320M |

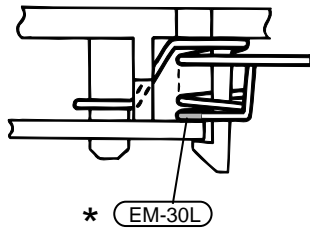


Fig.1

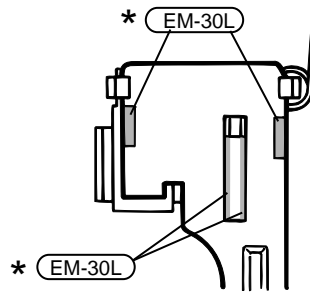


Fig.2

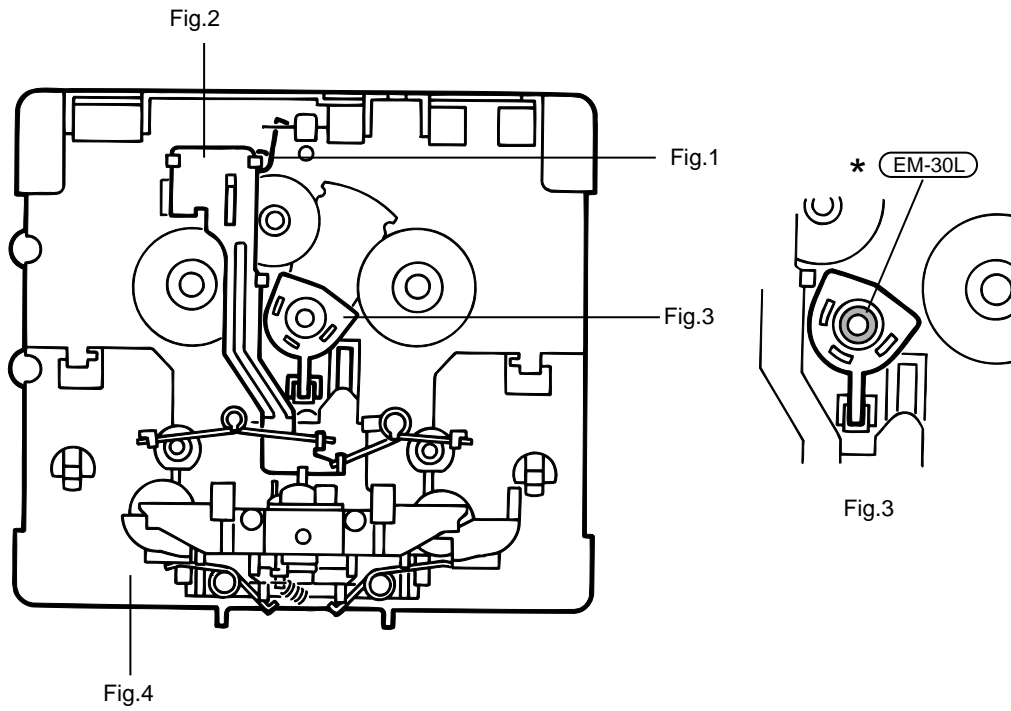


Fig.4

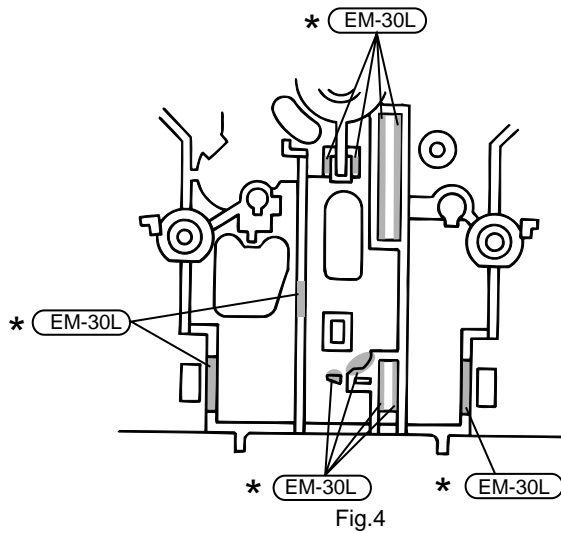


Fig.4

(Remove the Head mount Ass'y on the Chasis Base)

Grease point 2/3

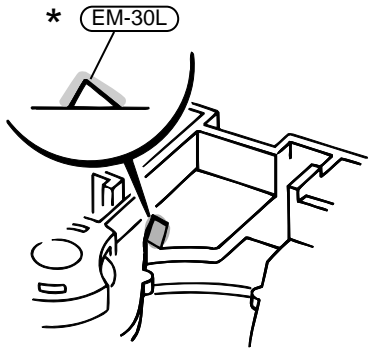


Fig.5

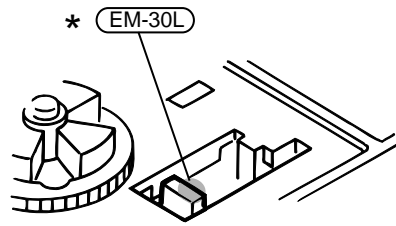


Fig.1

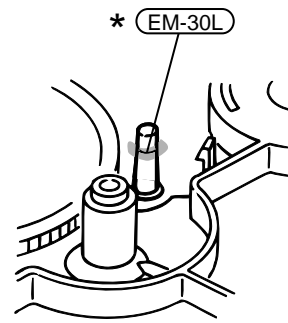
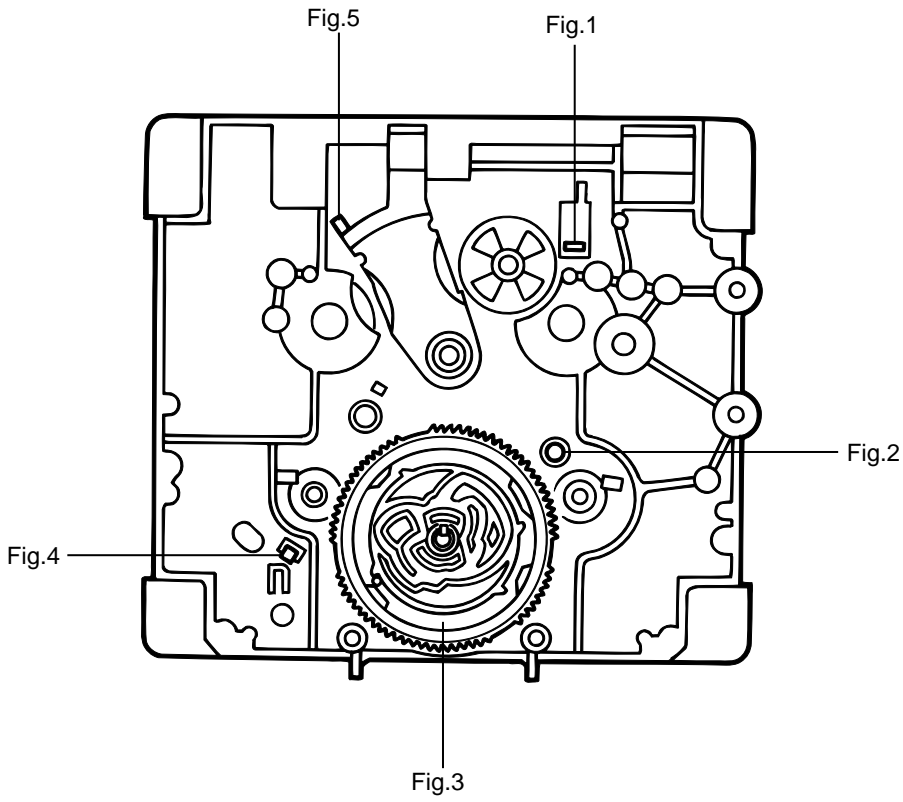


Fig.2

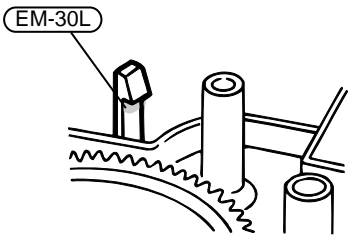


Fig.4

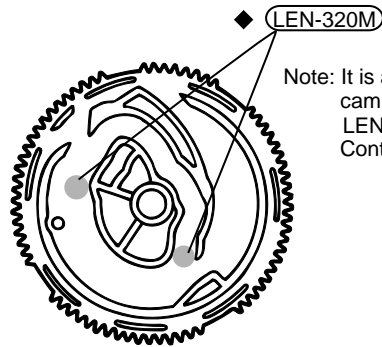
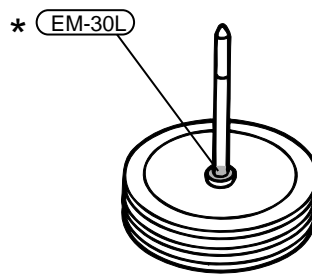
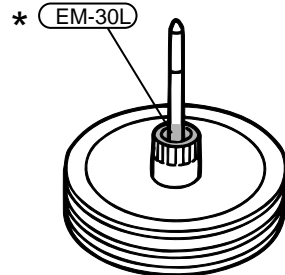
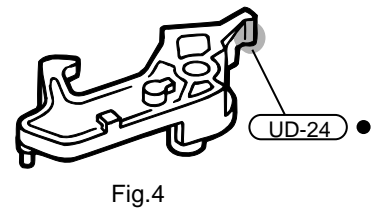
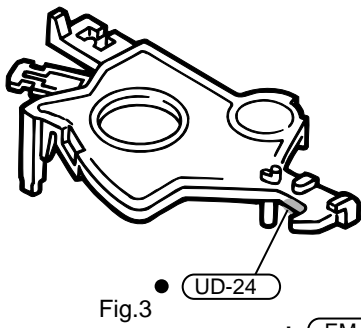
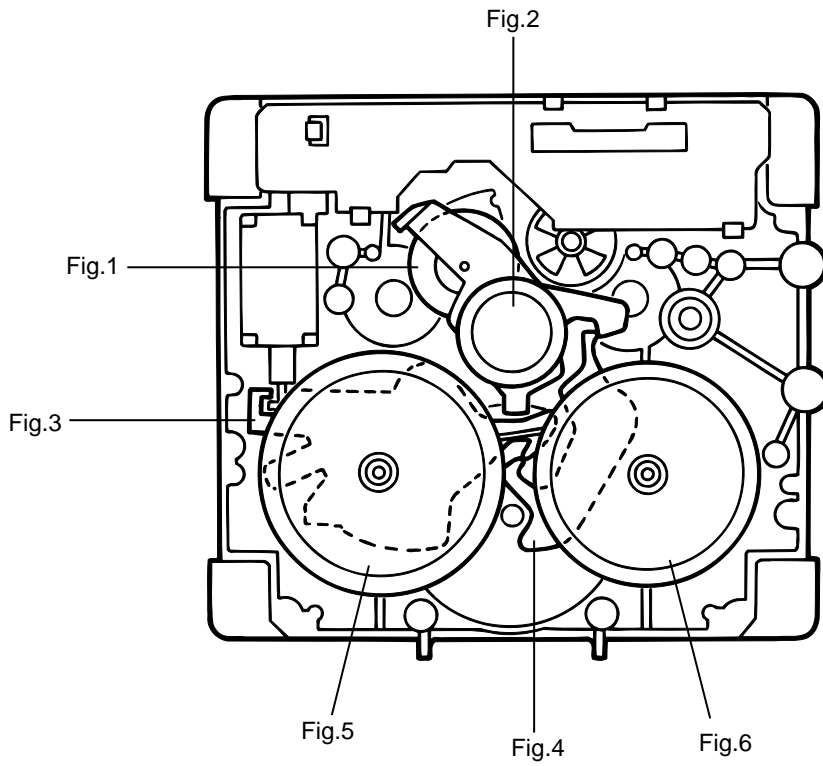
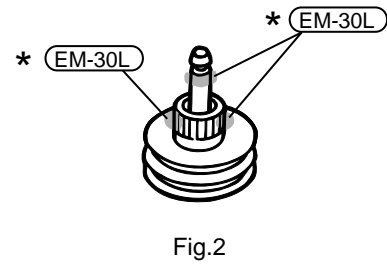
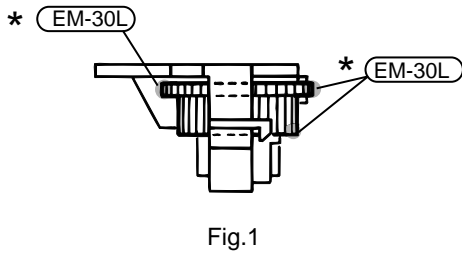


Fig.3

Note: It is a putting up of the control cam to UD-24H(Hanarl) and LEN-320M(Grease)dipping on the Control cam

Grease point 3/3



■ Electrical parts list (Main board)

Block No. 01

△	Item	Parts number	Parts name	Remarks	Area
	C 901	QFVF1HJ-104Z	TF CAPACITOR	.10MF 5% 50V	
	C 902	QFVF1HJ-104Z	TF CAPACITOR	.10MF 5% 50V	
	C 903	QFVF1HJ-104Z	TF CAPACITOR	.10MF 5% 50V	
	C 904	QFVF1HJ-104Z	TF CAPACITOR	.10MF 5% 50V	
	C 906	QFVF1HJ-104Z	T.F.CAPACITOR	.10MF 5% 50V	
	CN301	QGB1214J1-20S	CONNECTOR	MICON	
	CN302	QGB1214J1-14S	CONNECTOR	MICON	
	CN303	QGF1205C1-10	CONNECTOR	CD	
	CN304	QGF1205F1-09	CONNECTOR	SLC	
	CN305	QGF1205F1-10	CONNECTOR	SLC	
	CN306	QGA2501C1-05	5P CONNECTOR	HEADPHONE	
	CN307	QGA2501C1-02	2P CONNECTOR	CD DOOR	
	CN309	QGA2501F1-03	CONNECTOR		
△	CN901	QGA7901C1-04	CONNECTOR	UX-V30	
△	CN901	QGA7901C1-02	CONNECTOR	FS-V30	
	CN902	QGA3901C1-02	CONNECTOR		
	C1100	QDXB1CM-332Y	C CAPACITOR	UX-V30	A
	C1101	QCBB1HK-331Y	C CAPACITOR	330PF 10% 50V	
	C1102	QFVF1HJ-104Z	TF CAPACITOR	.10MF 5% 50V	
	C1103	QFVF1HJ-104Z	TF CAPACITOR	.10MF 5% 50V	
	C1104	QTE1V06-106Z	E CAPACITOR		
	C1105	QCBB1HK-221Y	C CAPACITOR	UX-V30	A
	C1150	QDGB1HK-102Y	C CAPACITOR		
	C1300	QFLM1HJ-823Z	M CAPACITOR	.082MF 5% 50V	
	C1301	QFLM1HJ-823Z	M CAPACITOR	.082MF 5% 50V	
	C1302	QTE1C06-226Z	E CAPACITOR		
	C1303	QFVJ1HJ-274Z	TF CAPACITOR	.27MF 5% 50V	
	C1500	QETN1EM-106Z	E CAPACITOR	10MF 20% 25V	
	C1501	QFLM1HJ-272Z	M CAPACITOR	2700PF 5% 50V	
	C1502	QETN1HM-475Z	E CAPACITOR	4.7MF 20% 50V	
	C1503	QTE1V06-106Z	E CAPACITOR		
	C1504	QFVF1HJ-104Z	TF CAPACITOR	.10MF 5% 50V	
	C1505	QFVF1HJ-104Z	TF CAPACITOR	.10MF 5% 50V	
	C1506	QFLM1HJ-272Z	M CAPACITOR	2700PF 5% 50V	
	C1507	QETN1HM-475Z	E CAPACITOR	4.7MF 20% 50V	
	C1508	QETN1HM-475Z	E CAPACITOR	4.7MF 20% 50V	
	C1509	QFLM1HJ-392Z	M CAPACITOR	3900PF 5% 50V	
	C1510	QETN1EM-475Z	E CAPACITOR	4.7MF 20% 25V	
	C1600	QCBB1HK-221Y	C CAPACITOR	220PF 10% 50V	
	C1700	QCBB1HK-221Y	C CAPACITOR	220PF 10% 50V	
	C1800	QETN1EM-475Z	E CAPACITOR	4.7MF 20% 25V	
	C1900	QCBB1HK-101Y	C CAPACITOR	100PF 10% 50V	
	C2100	QDXB1CM-332Y	C CAPACITOR	UX-V30	A
	C2101	QCBB1HK-331Y	C CAPACITOR	330PF 10% 50V	
	C2102	QFVF1HJ-104Z	TF CAPACITOR	.10MF 5% 50V	
	C2103	QFVF1HJ-104Z	TF CAPACITOR	.10MF 5% 50V	
	C2104	QTE1V06-106Z	E CAPACITOR		
	C2105	QCBB1HK-221Y	CER.CAPACITOR-S	UX-V30	A
	C2150	QDGB1HK-102Y	C CAPACITOR		
	C2300	QFLM1HJ-823Z	M CAPACITOR	.082MF 5% 50V	
	C2301	QFLM1HJ-823Z	M CAPACITOR	.082MF 5% 50V	
	C2302	QTE1C06-226Z	E CAPACITOR		
	C2303	QFVJ1HJ-274Z	TF CAPACITOR	.27MF 5% 50V	
	C2500	QETN1EM-106Z	E CAPACITOR	10MF 20% 25V	
	C2501	QFLM1HJ-272Z	M CAPACITOR	2700PF 5% 50V	
	C2502	QETN1HM-475Z	E CAPACITOR	4.7MF 20% 50V	
	C2503	QTE1V06-106Z	E CAPACITOR		
	C2504	QFVF1HJ-104Z	TF CAPACITOR	.10MF 5% 50V	
	C2505	QFVF1HJ-104Z	TF CAPACITOR	.10MF 5% 50V	
	C2506	QFLM1HJ-272Z	M CAPACITOR	2700PF 5% 50V	
	C2507	QETN1HM-475Z	E CAPACITOR	4.7MF 20% 50V	
	C2508	QETN1HM-475Z	E CAPACITOR	4.7MF 20% 50V	
	C2509	QFLM1HJ-392Z	M CAPACITOR	3900PF 5% 50V	

△	Item	Parts number	Parts name	Remarks	Area
	C2510	QETN1EM-475Z	E CAPACITOR	4.7MF 20% 25V	
	C2600	QCBB1HK-221Y	C CAPACITOR	220PF 10% 50V	
	C2700	QCBB1HK-221Y	C CAPACITOR	220PF 10% 50V	
	C2800	QETN1EM-475Z	E CAPACITOR	4.7MF 20% 25V	
	C2900	QCBB1HK-101Y	C CAPACITOR	100PF 10% 50V	
△	C3100	QETM1EM-828	E CAPACITOR	8200MF 20% 25V	
	C3101	QFVF1HJ-104Z	TF CAPACITOR	.10MF 5% 50V	
	C3102	QKCC1CM-107Z	E.CAPACITOR	100MF 20% 16V	
	C3103	QETN1CM-107Z	E CAPACITOR	100MF 20% 16V	
	C3104	QETC1AM-336Z	E CAPACITOR	33MF 20% 10V	
	C3105	QETN1HM-225Z	E CAPACITOR	2.2MF 20% 50V	
	C3150	QETN1EM-106Z	E CAPACITOR	10MF 20% 25V	
	C3300	QETN1CM-476Z	E CAPACITOR	47MF 20% 16V	
	C3301	QETN1AM-476Z	E CAPACITOR	47MF 20% 10V	
	C3400	QETN1HM-105Z	E CAPACITOR	1.0MF 20% 50V	
	C3401	QETN1HM-105Z	E CAPACITOR	1.0MF 20% 50V	
	C3402	QFLC1HJ-563Z	TF CAPACITOR	.056MF 5% 50V	
	C3403	QFLC1HJ-563Z	TF CAPACITOR	.056MF 5% 50V	
	C3404	QETN1HM-105Z	E CAPACITOR	1.0MF 20% 50V	
	C3405	QETN1CM-106Z	E CAPACITOR	10MF 20% 16V	
	C3406	QETN1HM-105Z	E CAPACITOR	1.0MF 20% 50V	
	C3500	QETN1CM-107Z	E CAPACITOR	100MF 20% 16V	
	C3501	QETN1EM-106Z	E CAPACITOR	10MF 20% 25V	
	C3502	QDYB1CM-103Y	C.CAPACITOR		
	C3503	QDGB1HK-102Y	C CAPACITOR		
	C3504	QDGB1HK-102Y	C CAPACITOR		
	C3505	QDGB1HK-102Y	C CAPACITOR		
	C3506	QDGB1HK-102Y	C CAPACITOR		
	C3507	QDGB1HK-102Y	C CAPACITOR		
	C3700	QETN1HM-684Z	E CAPACITOR	.68MF 20% 50V	
	C3800	QETN1HM-105Z	E CAPACITOR	1.0MF 20% 50V	
	C3901	QETN1CM-107Z	E CAPACITOR	100MF 20% 16V	
	C3902	QETN1EM-226Z	E CAPACITOR	22MF 20% 25V	
	C3903	QETN1EM-106Z	E CAPACITOR	10MF 20% 25V	
	C3904	QCS11HJ-330	C CAPACITOR	33PF 5% 50V	
	C3905	QCS31HJ-201Z	C CAPACITOR	200PF 5% 50V	
	C3906	QCS31HJ-201Z	C CAPACITOR	200PF 5% 50V	
	C3907	QCS11HJ-680	C CAPACITOR	68PF 5% 50V	
	C3908	QFLM1HJ-563Z	M CAPACITOR	.056MF 5% 50V	
	C3909	QFVF1HJ-104Z	TF CAPACITOR	.10MF 5% 50V	
	C3910	QFLM1HJ-472Z	M CAPACITOR	4700PF 5% 50V	
	C3911	QFLM1HJ-563Z	M CAPACITOR	.056MF 5% 50V	
	C9001	QETN1CM-227Z	E CAPACITOR	22MF 20% 16V	
	C9002	QDYB1CM-103Y	C.CAPACITOR		
	C9003	QDXB1CM-222Y	C CAPACITOR		
	C9201	QETN1CM-476Z	E CAPACITOR	47MF 20% 16V	
	C9202	QDYB1CM-103Y	C.CAPACITOR		
	C9203	QETN1CM-106Z	E CAPACITOR	10MF 20% 16V	
	C9302	QKCC1HM-475Z	E.CAPACITOR	4.7MF 20% 50V	
	C9303	QKCC1AM-107Z	E.CAPACITOR	100MF 20% 10V	
	C9401	QKCC1AM-227Z	E.CAPA I.M	220MF 20% 10V	
	C9402	QKCC1AM-107Z	E.CAPACITOR	100MF 20% 10V	
	C9403	QDYB1CM-103Y	C.CAPACITOR		
	C9404	QCZ0205-155Z	ML C CAPACITOR	1.5MF	
	C9501	QETN1AM-477Z	E CAPACITOR	470MF 20% 10V	
	C9502	QKCC1AM-476Z	E CAPACITOR	47MF 20% 10V	
	C9600	QDYB1CM-103Y	C.CAPACITOR		
	C9601	QETN1HM-107Z	E CAPACITOR	100MF 20% 50V	
	C9602	QETN1HM-106Z	E CAPACITOR	10MF 20% 50V	
	C9603	QETN1HM-106Z	E CAPACITOR	10MF 20% 50V	
△	D 901	6A10E2	SI DIODE		
△	D 902	6A10E2	SI DIODE		
△	D 903	6A10E2	SI DIODE		

■ Electrical parts list (Main board)

Block No. 01

△	Item	Parts number	Parts name	Remarks	Area	△	Item	Parts number	Parts name	Remarks	Area
△	D 904	6A10E2	SI DIODE				Q2400	KTC3199/GL-T	TR I/M		
	D 906	1SR35-400A-T5	SI.DIODE				Q2500	2SK301/RS-T	TRANSISTOR(FET)		
	D3300	MTZJ4.3B-T2	ZENER DIODE				Q2700	2SD2144S/VW-T	TRANSISTOR		
	D3400	1SS133-T2	SI DIODE				Q2800	KTC3199/GL-T	TR I/M		
	D3401	1SS133-T2	SI DIODE				Q3150	KRA101M-T	TR I/M		
	D3402	1SS133-T2	SI DIODE				Q3700	KTC3199/GL-T	TRANSISTOR		
	D3403	1SS133-T2	SI DIODE				Q3800	KRA101M-T	TR I/M		
	D3504	1SS133-T2	SI DIODE				Q3900	KTC3199/GL-T	TRANSISTOR		
	D3505	1SS133-T2	SI DIODE				Q3901	KTA1267/YG-T	TRANSISTOR		
	D3800	MTZJ6.8B-T2	NER DIODE				Q3902	DTC144WS-T	TR I.M		
	D3900	1SS133-T2	SI DIODE			△	Q9001	KTA1046/Y/	TRANSISTOR *		
	D3901	1SS133-T2	SI DIODE				Q9002	KTC3199/GL-T	TR I/M		
	D3902	1SS133-T2	SI DIODE				Q9003	KTA1267/YG-T	TRANSISTOR		
	D9001	1SS133-T2	SI DIODE				Q9004	KRC114M-T	TR I.M *		
	D9002	MTZJ8.2C-T2	ZENER DIODE				Q9005	DTA144TS-T	D.TRANSISTOR		
	D9003	MTZJ10A-T2	ZENER DIODE				Q9006	KTC3199/GL-T	TR I/M		
	D9101	1SR35-100A-T5	SI DIODE	UX-V30/FS-V30	J,UB,UP		Q9007	KTC3199/GL-T	TR I/M		
	D9101	1SR35-100A-T5	SI DIODE	UX-V30	US,UT,UY		Q9201	KTB772/Y/	TRANSISTOR		
	D9201	MTZJ5.1C-T2	ZENER DIODE				Q9202	KTC3199/GL-T	TR I/M		
	D9301	MTZJ3.9B-T2	Z DIODE IM				Q9301	KTA1267/YG-T	TRANSISTOR		
	D9302	1SS133-T2	SI DIODE				Q9302	KTC3199/GL-T	TR I/M		
	D9303	1SS133-T2	SI DIODE				Q9401	KTC3199/GL-T	TR I/M		
	D9401	MTZJ4.3B-T2	ZENER DIODE				Q9402	KTC3199/GL-T	TR I/M		
	D9402	MTZJ6.8B-T2	ZENER DIODE				Q9403	DTC114YS-T	TR I.M		
	D9501	1SS133-T2	SI DIODE				Q9501	2SD2144S/VW-T	TRANSISTOR		
	D9502	1SS133-T2	SI.DIODE				Q9600	2SC2001/K-T	TRANSISTOR		
	D9503	MTZJ5.1B-T2	SI.DIODE				R 901	QRZ9044-335	COMP.RESISTOR	FS-V30	
	D9504	MTZJ11C-T2	ZENER DIODE				R 906	QRZ9006-4R7X	F RESISTOR	4.7 1/0W	
	D9600	MTZJ27B-T2	Z. DIODE I/M				R1100	QRE141J-2R2Y	C RESISTOR	2.2 5% 1/4W	
	EP901	QNZ0136-001Z	EARTH PLATE	FS-V30			R1101	QRE141J-2R2Y	C RESISTOR	2.2 5% 1/4W	
	EP902	QNZ0136-001Z	EARTH PLATE				R1102	QRE141J-471Y	C RESISTOR	470 5% 1/4W	
	EP903	QNZ0136-001Z	EARTH PLATE				R1150	QRE141J-472Y	C RESISTOR	4.7K 5% 1/4W	
	FW900	QUM134-11Z4Z4	FLAT WIRE				R1151	QRE141J-562Y	C RESISTOR	4.7K 5% 1/4W	
△	IC300	LA4628	IC				R1200	QRE141J-151Y	C RESISTOR	150 5% 1/4W	
	IC301	BA15218N	IC				R1300	QRE141J-224Y	C RESISTOR	220K 5% 1/4W	
	IC302	LC75342	IC				R1301	QRE141J-202Y	C RESISTOR	1.8K 5% 1/4W	
	IC303	LB1641	IC				R1302	QRE141J-202Y	C RESISTOR	2.0K 5% 1/4W	
	IC304	BA15218N	IC				R1303	QRE141J-153Y	C RESISTOR	15K 5% 1/4W	
	J 300	QNB0090-001	SPK TERMINAL				R1304	QRE141J-153Y	C RESISTOR	10K 5% 1/4W	
	J 301	QNN0215-001	PIN JACK				R1305	QRE141J-682Y	C RESISTOR	10K 5% 1/4W	
	J 302	QNS0030-001	JACK				R1306	QRE141J-512Y	C RESISTOR	5.1K 5% 1/4W	
	J 303	GP1F32T	OPTICAL JACK				R1307	QRE141J-182Y	C RESISTOR	1.8K 5% 1/4W	
△	J 901	QMCB250-V02	AC SOCKET	FS-V30	J		R1400	QRE141J-223Y	C RESISTOR	22K 5% 1/4W	
△	J 901	QNC0006-001	AC SOCKET	UX-V30			R1401	QRE141J-223Y	C RESISTOR	22K 5% 1/4W	
	K1200	QQL231K-470Y	INDUCTOR	UX-V30	A		R1402	QRE141J-103Y	C RESISTOR	10K 5% 1/4W	
	K2200	QQR0779-001Z	INDUCTOR	UX-V30	A		R1500	QRE141J-475Y	C RESISTOR	4.7M 5% 1/4W	
	K3800	QQR0621-001Z	FERRITE BEADS				R1501	QRE141J-512Y	C RESISTOR	5.1K 5% 1/4W	
	K9100	QQR0621-001Z	FERRITE BEADS				R1502	QRE141J-124Y	C RESISTOR	120K 5% 1/4W	
	K9401	QQR0621-001Z	FERRITE BEADS				R1503	QRE141J-392Y	C RESISTOR	3.9K 5% 1/4W	
	L 901	QQR0799-001	INDUCTOR	UX-V30			R1504	QRE141J-272Y	C RESISTOR	2.7K 5% 1/4W	
	L1100	QQR0797-001	INDUCTOR	UX-V30	A		R1505	QRE141J-272Y	C RESISTOR	2.7K 5% 1/4W	
	L1200	QQL231K-470Y	INDUCTOR	UX-V30	A		R1506	QRE141J-224Y	C RESISTOR	220K 5% 1/4W	
	L2100	QQR0797-001	INDUCTOR	UX-V30	A		R1507	QRE141J-104Y	C RESISTOR	100K 5% 1/4W	
	L2200	QQL231K-470Y	INDUCTOR	UX-V30	A		R1508	QRE141J-103Y	CARBON RESISTOR	10K 5% 1/4W	
	L3200	QQL231K-470Y	INDUCTOR	UX-V30	A		R1600	QRE141J-303Y	C RESISTOR	30K 5% 1/4W	
	L9401	QQL244K-100Z	INDUCTOR				R1601	QRE141J-303Y	C RESISTOR	30K 5% 1/4W	
	PP900	QZW0038-001	WIRE CLAMP				R1700	QRE141J-221Y	C RESISTOR	220 5% 1/4W	
	PW900	QNZ0104-001	POST PIN				R1701	QRE141J-562Y	C RESISTOR	5.6K 5% 1/4W	
	Q1150	2SD2144S/VW-T	TRANSISTOR				R1702	QRE141J-103Y	C RESISTOR	10K 5% 1/4W	
	Q1400	KTC3199/GL-T	TR I/M				R1800	QRE141J-912Y	C RESISTOR	9.1K 5% 1/4W	
	Q1500	2SK301/RS-T	TRANSISTOR(FET)				R1801	QRE141J-272Y	C RESISTOR	2.7K 5% 1/4W	
	Q1700	2SD2144S/VW-T	TRANSISTOR				R1802	QRE141J-222Y	C RESISTOR	2.2K 5% 1/4W	
	Q1800	KTC3199/GL-T	TR I/M				R1803	QRE141J-622Y	C RESISTOR	6.2K 5% 1/4W	
	Q2150	2SD2144S/VW-T	TRANSISTOR								

■ Electrical parts list(Main board)

Block No. 01

△	Item	Parts number	Parts name	Remarks	Area
	R1900	QRE141J-473Y	C RESISTOR	47K 5% 1/4W	
	R2100	QRE141J-2R2Y	C RESISTOR	2.2 5% 1/4W	
	R2101	QRE141J-2R2Y	C RESISTOR	2.2 5% 1/4W	
	R2102	QRE141J-471Y	C RESISTOR	470 5% 1/4W	
	R2150	QRE141J-472Y	C RESISTOR	4.7K 5% 1/4W	
	R2151	QRE141J-562Y	C RESISTOR	4.7K 5% 1/4W	
	R2200	QRE141J-151Y	C RESISTOR	150 5% 1/4W	
	R2300	QRE141J-224Y	C RESISTOR	220K 5% 1/4W	
	R2301	QRE141J-202Y	C RESISTOR	1.8K 5% 1/4W	
	R2302	QRE141J-202Y	C RESISTOR	2.0K 5% 1/4W	
	R2303	QRE141J-153Y	C RESISTOR	15K 5% 1/4W	
	R2304	QRE141J-153Y	C RESISTOR	10K 5% 1/4W	
	R2305	QRE141J-682Y	C RESISTOR	10K 5% 1/4W	
	R2306	QRE141J-512Y	C RESISTOR	5.1K 5% 1/4W	
	R2307	QRE141J-182Y	C RESISTOR	1.8K 5% 1/4W	
	R2400	QRE141J-223Y	C RESISTOR	22K 5% 1/4W	
	R2401	QRE141J-223Y	C RESISTOR	22K 5% 1/4W	
	R2402	QRE141J-103Y	C RESISTOR	10K 5% 1/4W	
	R2500	QRE141J-475Y	C RESISTOR	4.7M 5% 1/4W	
	R2501	QRE141J-512Y	C RESISTOR	5.1K 5% 1/4W	
	R2502	QRE141J-124Y	C RESISTOR	120K 5% 1/4W	
	R2503	QRE141J-392Y	C RESISTOR	3.9K 5% 1/4W	
	R2504	QRE141J-272Y	C RESISTOR	2.7K 5% 1/4W	
	R2505	QRE141J-272Y	C RESISTOR	2.7K 5% 1/4W	
	R2506	QRE141J-224Y	C RESISTOR	220K 5% 1/4W	
	R2507	QRE141J-104Y	C RESISTOR	100K 5% 1/4W	
	R2508	QRE141J-103Y	CARBON RESISTOR	10K 5% 1/4W	
	R2600	QRE141J-303Y	C RESISTOR	30K 5% 1/4W	
	R2601	QRE141J-303Y	C RESISTOR	30K 5% 1/4W	
	R2700	QRE141J-221Y	C RESISTOR	220 5% 1/4W	
	R2701	QRE141J-562Y	C RESISTOR	5.6K 5% 1/4W	
	R2702	QRE141J-103Y	C RESISTOR	10K 5% 1/4W	
	R2800	QRE141J-912Y	C RESISTOR	9.1K 5% 1/4W	
	R2801	QRE141J-272Y	C RESISTOR	2.7K 5% 1/4W	
	R2802	QRE141J-222Y	C RESISTOR	2.2K 5% 1/4W	
	R2803	QRE141J-622Y	C RESISTOR	6.2K 5% 1/4W	
	R2900	QRE141J-473Y	C RESISTOR	47K 5% 1/4W	
	R3100	QRE141J-103Y	C RESISTOR	10K 5% 1/4W	
	R3300	QRE141J-101Y	C RESISTOR	100 5% 1/4W	
	R3301	QRE141J-152Y	C RESISTOR	1.5K 5% 1/4W	
	R3400	QRE141J-682Y	C RESISTOR	6.8K 5% 1/4W	
	R3401	QRE141J-682Y	C RESISTOR	6.8K 5% 1/4W	
	R3402	QRE141J-124Y	C RESISTOR	120K 5% 1/4W	
	R3403	QRE141J-154Y	C RESISTOR	150K 5% 1/4W	
	R3404	QRE141J-223Y	C RESISTOR	22K 5% 1/4W	
	R3405	QRE141J-513Y	C RESISTOR	51K 5% 1/4W	
	R3500	QRE141J-101Y	C RESISTOR	100 5% 1/4W	
	R3501	QRE141J-222Y	C RESISTOR	2.2K 5% 1/4W	
	R3502	QRE141J-222Y	C RESISTOR	2.2K 5% 1/4W	
	R3503	QRE141J-222Y	C RESISTOR	2.2K 5% 1/4W	
	R3700	QRE141J-103Y	C RESISTOR	10K 5% 1/4W	
	R3900	QRE141J-151Y	C RESISTOR	150 5% 1/4W	
	R3901	QRE141J-103Y	C RESISTOR	10K 5% 1/4W	
	R3902	QRE141J-103Y	C RESISTOR	10K 5% 1/4W	
	R3903	QRE141J-473Y	C RESISTOR	47K 5% 1/4W	
	R3904	QRE141J-224Y	C RESISTOR	220K 5% 1/4W	
	R3905	QRE141J-331Y	C RESISTOR	330 5% 1/4W	
	R3906	QRE141J-473Y	C RESISTOR	47K 5% 1/4W	
	R3907	QRE141J-822Y	C RESISTOR	8.2K 5% 1/4W	
	R3908	QRE141J-822Y	C RESISTOR	8.2K 5% 1/4W	
	R3909	QRE141J-102Y	C RESISTOR	1.0K 5% 1/4W	
	R3910	QRE141J-475Y	C RESISTOR	4.7M 5% 1/4W	
	R3911	QRE141J-101Y	C RESISTOR	100 5% 1/4W	

△	Item	Parts number	Parts name	Remarks	Area
	R3912	QRE141J-474Y	C RESISTOR	470K 5% 1/4W	
	R3913	QRE141J-124Y	C RESISTOR	120K 5% 1/4W	
	R3914	QRE141J-101Y	C RESISTOR	100 5% 1/4W	
	R3915	QRE141J-275Y	C RESISTOR	2.7M 5% 1/4W	
	R9001	QRE141J-1R2Y	C RESISTOR	1.0 5% 1/4W	
	R9002	QRE141J-1R2Y	C RESISTOR	1.0 5% 1/4W	
	R9003	QRE141J-1R2Y	C RESISTOR	1.0 5% 1/4W	
	R9004	QRE141J-471Y	C RESISTOR	470 5% 1/4W	
	R9005	QRE141J-152Y	C RESISTOR	1.5K 5% 1/4W	
	R9006	QRE141J-272Y	C RESISTOR	2.4K 5% 1/4W	
	R9007	QRE141J-681Y	C RESISTOR	1.0K 5% 1/4W	
	R9008	QRE141J-682Y	C RESISTOR	6.8K 5% 1/4W	
△	R9009	QRZ9005-680X	F.RES I/M	68 1/0W	
△	R9010	QRZ9005-680X	F.RES I/M	68 1/0W	
△	R9011	QRZ9005-680X	F.RES I/M	68 1/0W	
	R9012	QRE141J-472Y	C RESISTOR	4.7K 5% 1/4W	
	R9013	QRE141J-471Y	C RESISTOR	470 5% 1/4W	
	R9014	QRE141J-472Y	C RESISTOR	4.7K 5% 1/4W	
	R9015	QRE141J-472Y	C RESISTOR	4.7K 5% 1/4W	
	R9016	QRE141J-472Y	C RESISTOR	4.7K 5% 1/4W	
	R9017	QRE141J-103Y	C RESISTOR	10K 5% 1/4W	
	R9018	QRE141J-391Y	C RESISTOR	390 5% 1/4W	
△	R9019	QRZ9005-680X	F.RES I/M	68 1/0W	
△	R9100	QRZ9006-4R7X	F RESISTOR	4.7 1/0W	A
	R9101	QRZ9006-5R6X	F RESISTOR	UX-V30	
	R9102	QRZ9006-5R6X	F.RES I/M	5.6 1/0W	
	R9201	QRE141J-103Y	C RESISTOR	10K 5% 1/4W	
	R9202	QRE141J-103Y	C RESISTOR	10K 5% 1/4W	
	R9203	QRE141J-820Y	C RESISTOR	220 5% 1/4W	
	R9301	QRE141J-222Y	C RESISTOR	4.7K 5% 1/4W	
	R9302	QRE141J-333Y	C RESISTOR	33K 5% 1/4W	
	R9303	QRE141J-101Y	C RESISTOR	1.0K 5% 1/4W	
	R9304	QRE141J-390Y	C RESISTOR	39 5% 1/4W	
	R9403	QRE141J-100Y	C RESISTOR	10 5% 1/4W	
	R9404	QRE141J-6R8Y	C RESISTOR	3.9 5% 1/4W	
	R9405	QRE141J-391Y	C RESISTOR	390 5% 1/4W	
	R9501	QRE141J-221Y	C RESISTOR	220 5% 1/4W	
	R9502	QRE141J-620Y	C RESISTOR	62 5% 1/4W	
	R9503	QRE141J-620Y	C RESISTOR	62 5% 1/4W	
	R9504	QRE141J-102Y	C RESISTOR	1.0K 5% 1/4W	
	R9600	QRZ9005-100X	F.RES I/M	10 1/0W	
	R9601	QRE141J-222Y	C RESISTOR	2.2K 5% 1/4W	
	R9602	QRE141J-224Y	C RESISTOR	220K 5% 1/4W	
△	S 901	QSW0740-001	SELECT SWITCH	UX-V30	UB,US,UT,UY
	W 300	QJK015-021002	WIRE	SECONDARY	
	W 301	QJK017-051400	WIRE		
△	W 901	WJK0071-001A	E-SI C WIRE C-B		
△	Z 901	QNG0020-001Z	FUSE CLIP		
△	Z 902	QNG0020-001Z	FUSE CLIP		
△	Z 903	QNG0020-001Z	FUSE CLIP		
△	Z 904	QNG0020-001Z	FUSE CLIP		
△	Z 907	QNG0020-001Z	FUSE CLIP	UX-V30	UB,US,UT,UY
△	Z 908	QNG0020-001Z	FUSE CLIP	UX-V30	UB,US,UT,UY

■ Electrical parts list (Micom board & Regurator) Block No. 02

△	Item	Parts number	Parts name	Remarks	Area	△	Item	Parts number	Parts name	Remarks	Area
	CN711	QGB1214K1-14S	CONNECTOR	TO MAIN PWB			D8206	MTZJ10C-T2	ZENER DIODE		
	CN712	QGB1214K1-20S	CONNECTOR	TO MAIN PWB			D8601	1SS133-T2	SI.DIODE		
	CN721	QGA2001C1-03	3P PLUG ASSY	TO CD DOOR SW P			D8602	1SS133-T2	SI.DIODE		
	CN722	WJK0076-001A	CONN.WIRE ASSY				D8603	1SS133-T2	SI.DIODE		
	CN766	QGF1205C1-13	CONNECTOR	TO CD PWB			IC701	UPD78064GF-155	IC(MCU)	SYSTEM MICOM	
	CN781	QGB1216J1-08S	CONNECTOR	TO FRONT SW PWB			IC703	KIA78S06P-T	IC	US6V REG	
	CN881	QGB1216K1-08S	CONNECTOR				IC801	GP1U261X	IR DETECT UNIT		
	C7001	NCS21HJ-180X	C CAPACITOR	CLOCK			K7001	NQR0006-001X	FERRITE BEAD	ICVSS	
	C7002	NCS21HJ-180X	C CAPACITOR	CLOCK			K7002	NQR0006-001X	FERRITE BEAD	AVSS	
	C7004	NCS21HJ-360X	C CAPACITOR	MAIN CLOCK SHIF			K7004	NQR0006-001X	FERRITE BEAD	SW GND	
	C7005	NCS21HJ-390X	C CAPACITOR	MAIN CLOCK SHIF			K7005	NQR0006-001X	FERRITE BEAD	VSS	
	C7006	NCS21HJ-200X	C CAPACITOR	MAIN CLOCK			L7002	QQL231K-100Y	INDUCTOR	US5V	
	C7007	NCS21HJ-220X	C CAPACITOR	MAIN CLOCK			L7003	QQL231K-470Y	INDUCTOR	AVDD & VDD	
	C7008	NCB21HK-102X	C CAPACITOR				L7005	QQL231K-4R7Y	INDUCTOR	AVREF	
	C7009	NCB21HK-102X	C CAPACITOR				PP701	QZW0038-001	POST PIN		
	C7011	QEK1AM-107Z	E.CAPACITOR	100MF 20% 10V			Q7001	2SC2668/O-T	TRANSISTOR	CLOCK SHIFT	
	C7012	NCB21HK-103X	C CAPACITOR				Q7002	2SC2668/O-T	TRANSISTOR	CLOCK SHIFT	
	C7013	QFVF1HJ-104Z	TF CAPACITOR	.10MF 5% 50V			Q7031	2SA1037AK/RS/-X	TRANSISTOR	SW5V	
	C7014	QETN1CM-106Z	E CAPACITOR	10MF 20% 16V			Q7051	DTC114TKA-X	TRANSISTOR	RESET SW	
	C7031	EETB0JM-228JC	E CAPACITOR	BACKUP CAPACITO			Q7061	2SC2412K/R/-X	TRANSISTOR	BACKUP CONT	
	C7051	QETN1HM-684Z	E CAPACITOR	.68MF 20% 50V			Q7091	2SC2412K/R/-X	TRANSISTOR	POUT DRIVER	
	C7052	QETN1HM-225Z	E CAPACITOR	2.2MF 20% 50V			Q7601	DTC144TKA-X	TRANSISTOR		
	C7081	NCB21CK-104X	C.CAPA. C.M	AM LCD NOISE			Q7602	DTC144TKA-X	TRANSISTOR		
	C7601	NCS21HJ-151X	C CAPACITOR				Q7603	2SC2412K/R/-X	TRANSISTOR		
	C7602	NCS21HJ-151X	C CAPACITOR				Q7604	2SA933S/RS/-T	TRANSISTOR		
	C7623	NCS21HJ-101X	C CAPACITOR				Q8001	DTC114TKA-X	LED		
	C7624	NCS21HJ-101X	C CAPACITOR				Q8601	DTC144EKA-X	DIGI.TRANSISTOR		
	C7633	NCB21HK-102X	C CAPACITOR				Q8602	2SA1037AK/RS/-X	SI.TRANSISTOR		
	C7641	NCS21HJ-151X	C CAPACITOR				R7005	NRSA02J-822X	MG RESISTOR		
	C7701	NCS21HJ-151X	C CAPACITOR				R7006	NRSA02J-822X	MG RESISTOR		
	C7702	NCS21HJ-151X	C CAPACITOR				R7031	NRSA02J-331X	MG RESISTOR		
	C7704	NCS21HJ-101X	C CAPACITOR				R7032	NRSA02J-103X	MG RESISTOR		
	C7723	NCB21HK-102X	C CAPACITOR				R7033	NRSA02J-102X	MG RESISTOR		
	C7724	NCB21HK-102X	C CAPACITOR				R7051	NRSA02J-103X	MG RESISTOR		
	C7734	NCB21HK-102X	C CAPACITOR				R7052	NRSA02J-103X	MG RESISTOR		
	C7801	NCB21HK-103X	C CAPACITOR	MICOM NOISE			R7061	NRSA02J-333X	MG RESISTOR		
	C7802	NCB21HK-103X	C CAPACITOR	MICOM NOISE			R7062	NRSA02J-473X	MG RESISTOR		
	C7803	NCB21HK-102X	C CAPACITOR				R7063	NRSA02J-104X	MG RESISTOR		
	C7804	NCB21HK-103X	C CAPACITOR				R7081	NRSA02J-104X	MG RESISTOR		
	C7809	NCB21HK-102X	C CAPACITOR				R7082	NRSA02J-104X	MG RESISTOR		
	C7810	NCB21HK-103X	C CAPACITOR				R7083	NRSA02J-104X	MG RESISTOR		
	C8001	NCB21HK-102X	C CAPACITOR				R7084	NRSA02J-273X	MG RESISTOR		
	C8002	QEK41CM-476	E.CAPACITOR	47MF 20% 16V			R7429	NRSA02J-913X	MG RESISTOR		
	C8003	NCB21HK-103X	C CAPACITOR				R7430	NRSA02J-102X	MG RESISTOR		
	C8004	NCB21HK-103X	C CAPACITOR				R7528	NRSA02J-223X	MG RESISTOR		
	C8011	NCB21HK-103X	C CAPACITOR				R7529	NRSA02J-473X	MG RESISTOR		
	C8022	NCB21HK-103X	C CAPACITOR				R7530	NRSA02J-103X	MG RESISTOR		
	C8601	QEK1AM-107Z	E CAPACITOR	100MF 20% 10V			R7602	NRSA02J-102X	MG RESISTOR		
	DI701	QLD0119-001	LCD MODULE	44 PIN LCD			R7614	NRSA02J-103X	MG RESISTOR		
	D7001	1SS133-T2	SI DIODE	US5V			R7619	NRSA02J-122X	MG RESISTOR		
	D7011	MTZJ8.2B-T2	DIODE	SHORT HOGO			R7620	NRSA02J-102X	MG RESISTOR		
	D7012	1SS133-T2	SI DIODE	SHORT HOGO			R7621	NRSA02J-122X	MG RESISTOR		
	D7013	1SS133-T2	SI DIODE				R7622	NRSA02J-102X	MG RESISTOR		
	D7031	1SS133-T2	SI DIODE	BACK UP			R7625	NRSA02J-823X	MG RESISTOR		
	D7032	1SS133-T2	SI DIODE	CLOCK			R7628	NRSA02J-823X	MG RESISTOR		
	D7051	1SS133-T2	SI DIODE	RESET			R7629	NRSA02J-103X	MG RESISTOR		
	D7061	MTZJ5.1C-T2	ZENER DIODE	BACK UP CONT.			R7630	NRSA02J-563X	MG RESISTOR		
	D7091	1SS133-T2	SI DIODE	US5V			R7631	NRSA02J-104X	MG RESISTOR		
	D7092	1SS133-T2	SI DIODE	5V-REMCON&STBLE			R7632	NRSA02J-103X	MG RESISTOR		
	D8002	1SS133-T2	SI.DIODE				R7633	NRSA02J-103X	MG RESISTOR		
	D8003	SLR-342VC-T	LED	RED LED			R7634	NRSA02J-103X	MG RESISTOR		
	D8202	SELU1E56BM	L.E.D				R7635	NRSA02J-104X	MG RESISTOR		
	D8205	MTZJ10C-T2	Z.DIODE				R7639	NRSA02J-222X	MG RESISTOR		

■ Electrical parts list (Micom board & regurator) Block No. 02

△	Item	Parts number	Parts name	Remarks	Area
	R7641	NRSA02J-102X	MG RESISTOR		
	R7642	NRSA02J-102X	MG RESISTOR		
	R7647	NRSA02J-104X	MG RESISTOR		
	R7648	NRSA02J-394X	MG RESISTOR		
	R7649	NRSA02J-823X	MG RESISTOR		
	R7651	NRSA02J-473X	MG RESISTOR		
	R7652	NRSA02J-473X	MG RESISTOR		
	R7653	NRSA02J-394X	MG RESISTOR		
	R7654	NRSA02J-182X	M.G.RESISTOR		
	R7655	NRSA02J-102X	MG RESISTOR		
	R7701	NRSA02J-102X	MG RESISTOR		
	R7702	NRSA02J-102X	MG RESISTOR		
	R7703	NRSA02J-102X	MG RESISTOR		
	R7704	NRSA02J-103X	MG RESISTOR		
	R7705	NRSA02J-102X	MG RESISTOR		
	R7711	NRSA02J-222X	MG RESISTOR		
	R7712	NRSA02J-102X	MG RESISTOR		
	R7713	NRSA02J-222X	MG RESISTOR		
	R7715	NRSA02J-222X	MG RESISTOR		
	R7716	NRSA02J-222X	MG RESISTOR		
	R7717	NRSA02J-472X	MG RESISTOR		
	R7718	NRSA02J-102X	MG RESISTOR		
	R7719	NRSA02J-102X	MG RESISTOR		
	R7720	NRSA02J-102X	MG RESISTOR		
	R7721	NRSA02J-102X	MG RESISTOR		
	R7722	NRSA02J-102X	MG RESISTOR		
	R7723	NRSA02J-222X	MG RESISTOR		
	R7724	NRSA02J-222X	MG RESISTOR		
	R7725	NRSA02J-222X	MG RESISTOR		
	R7726	NRSA02J-222X	MG RESISTOR		
	R7728	NRSA02J-222X	MG RESISTOR		
	R7729	NRSA02J-222X	MG RESISTOR		
	R7730	NRSA02J-222X	MG RESISTOR		
	R7731	NRSA02J-222X	MG RESISTOR		
	R7732	NRSA02J-222X	MG RESISTOR		
	R7733	NRSA02J-222X	MG RESISTOR		
	R7734	NRSA02J-222X	MG RESISTOR		
	R7735	NRSA02J-222X	MG RESISTOR		
	R7738	NRSA02J-222X	MG RESISTOR		
	R7739	NRSA02J-222X	MG RESISTOR		
	R7741	NRSA02J-222X	MG RESISTOR		
	R7742	NRSA02J-222X	MG RESISTOR		
	R7743	NRSA02J-222X	MG RESISTOR		
	R7744	NRSA02J-222X	MG RESISTOR		
	R7745	NRSA02J-222X	MG RESISTOR		
	R7747	NRSA02J-222X	MG RESISTOR		
	R7748	NRSA02J-153X	MG RESISTOR		
	R7749	NRSA02J-123X	MG RESISTOR		
	R7750	NRSA02J-222X	MG RESISTOR		
	R7799	NRSA02J-102X	MG RESISTOR		
	R8001	NRSA02J-102X	MG RESISTOR		
	R8002	NRSA02J-102X	MG RESISTOR		
	R8003	NRSA02J-122X	MG RESISTOR		
	R8004	NRSA02J-123X	M.G.RESISTOR	FS-V30	
	R8005	NRSA02J-152X	M.G.RESISTOR	UX-V30	UY
	R8005	NRSA02J-473X	MG RESISTOR	UX-V30	UB, US, UT, UP
	R8005	NRSA02J-823X	M.G.RESISTOR	FS-V30	
	R8011	NRSA02J-102X	MG RESISTOR		
	R8012	NRSA02J-102X	MG RESISTOR		
	R8013	NRSA02J-122X	MG RESISTOR		
	R8014	NRSA02J-152X	MG RESISTOR		
	R8015	NRSA02J-222X	MG RESISTOR		
	R8016	NRSA02J-272X	MG RESISTOR		

△	Item	Parts number	Parts name	Remarks	Area
	R8017	NRSA02J-392X	MG RESISTOR		
	R8018	NRSA02J-562X	MG RESISTOR		
	R8019	NRSA02J-103X	MG RESISTOR		
	R8020	NRSA02J-183X	MG RESISTOR		
	R8021	NRSA02J-433X	MG RESISTOR		
	R8031	NRSA02J-681X	MG RESISTOR		
	R8032	NRSA02J-681X	M.G.RESISTOR		
	R8201	NRSA02J-471X	M.G.RESISTOR		
	R8201	NRSA02J-471X	M.G.RESISTOR		
	R8203	NRSA02J-471X	M.G.RESISTOR		
	R8204	NRSA02J-471X	M.G.RESISTOR		
	R8601	QRE141J-223Y	C RESISTOR	22K 5% 1/4W	
	R8602	QRE141J-223Y	C RESISTOR	22K 5% 1/4W	
	R8611	QRE141J-102Y	C RESISTOR	1.0K 5% 1/4W	
	R8612	QRE141J-102Y	C RESISTOR	1.0K 5% 1/4W	
	R8621	NRSA02J-104X	M.G.RESISTOR		
	R8622	NRSA02J-473X	M.G.RESISTOR		
	R8623	NRSA02J-473X	M.G.RESISTOR		
	R8631	QRJ146J-3R9X	C RESISTOR	3.9 5% 1/4W	
	S8001	QSW0674-001Z	TACT SW	REVERSE MODE	
	S8002	QSW0674-001Z	TACT SW	REC	
	S8003	QSW0674-001Z	TACT SW	AUX	
	S8004	QSW0674-001Z	TACT SW	POWER	
	S8011	QSW0674-001Z	TACT SW	OPEN/CLOSE	
	S8012	QSW0674-001Z	TACT SW	VOLUME -	
	S8013	QSW0674-001Z	TACT SW	VOLUME +	
	S8014	QSW0674-001Z	TACT SW	AHB PRO	
	S8015	QSW0674-001Z	TACT SW	TIMER	
	S8016	QSW0674-001Z	TACT SW	CLOCK	
	S8017	QSW0674-001Z	TACT SW	CD	
	S8018	QSW0674-001Z	TACT SW	TUNER	
	S8019	QSW0674-001Z	TACT SW	TAPE	
	S8020	QSW0674-001Z	TACT SW	DOWN	
	S8021	QSW0674-001Z	TACT SW	STOP	
	S8022	QSW0674-001Z	TACT SW	UP	
	S8101	QSW0451-001	DETECT SW	OPEN SWITCH	
	S8102	QSW0451-001	DETECT SW	CLOSE SWITCH	
	W 701	QUM154-12Z4Z4	FLAT WIRE		
	W 821	QJK018-032403	WIRE		
	W 822	WJK0076-001A	CONN.WIRE ASSY		
	X7001	QAX0401-001	CRYSTAL	SUB CLOCK	
	X7002	QAX0410-001	CERA LOCK	MAIN CLOCK	

■ Electrical parts list (CD board)

Block No. 03

△	Item	Parts number	Parts name	Remarks	Area	△	Item	Parts number	Parts name	Remarks	Area
	CN601	QGF1201F3-13	CONNECTOR				D6063	1SS355-X	DIODE		
	CN602	QGF1201F3-10	CONNECTOR				IC601	AN8806SB-W	IC		
	CN603	QGF1016F1-16	FFC/FPC CONNE				IC602	LA6541-X	IC		
	CN605	QGA2001C1-06	6P PLUG ASSY				IC603	MN35510	IC		
	C6001	QEKC0JM-107Z	E.CAPA I.M	100MF 20% 6.3V			K6051	QQR0621-001Z	FERRITE BEADS		
	C6002	QEK41CM-106	E.CAPA I.M	10MF 20% 16V			Q6001	2SA1037AK/R/-X	TRANSISTOR		
	C6003	NDC21HJ-3R5X	C CAPACITOR	x-f:-TDK			Q6031	2SA952/LK/-T	TRANSISTOR		
	C6005	NCS21HJ-331X	C CAPACITOR				R6001	NRSA02J-123X	MG RESISTOR		
	C6007	NCB21HK-222X	C CAPACITOR				R6002	NRSA02J-225X	MG RESISTOR		
	C6008	QEKC1HM-105Z	E.CAPACITOR	1.0MF 20% 50V			R6003	NRSA02J-102X	MG RESISTOR		
	C6009	NCS21HJ-101X	C CAPACITOR				R6005	NRSA02J-124X	MG RESISTOR		
	C6010	NCB21HK-273X	C CAPACITOR				R6006	NRSA02J-473X	MG RESISTOR		
	C6011	NCB21HK-222X	C CAPACITOR				R6007	NRSA02J-273X	MG RESISTOR		
	C6012	NCB21HK-103X	C CAPACITOR				R6009	NRSA02J-393X	MG RESISTOR		
	C6014	NCB21EK-104X	C CAPACITOR				R6010	NRSA02J-104X	MG RESISTOR		
	C6015	NCB21HK-223X	C CAPACITOR				R6012	NRSA02J-103X	MG RESISTOR		
	C6016	NCB21HK-223X	C CAPACITOR				R6013	NRSA02J-121X	MG RESISTOR		
	C6017	NCB21HK-223X	C CAPACITOR				R6014	NRSA02J-100X	MG RESISTOR		
	C6018	NCB21HK-222X	C CAPACITOR				R6015	NRSA02J-120X	MG RESISTOR		
	C6019	NCS21HJ-271X	C CAPACITOR				R6016	NRSA02J-910X	MG RESISTOR		
	C6020	NCS21HJ-181X	C CAPACITOR				R6021	NRSA02J-101X	MG RESISTOR		
	C6021	NCS21HJ-821X	C CAPACITOR				R6022	NRSA02J-101X	MG RESISTOR		
	C6022	QEKC0JM-476Z	E.CAPACITOR	47MF 20% 6.3V			R6023	NRSA02J-101X	MG RESISTOR		
	C6023	NCB21EK-104X	C CAPACITOR				R6024	NRSA02J-104X	MG RESISTOR		
	C6028	NCB21EK-473X	C CAPACITOR				R6025	NRSA02J-104X	MG RESISTOR		
	C6029	QEKC0JM-107Z	E.CAPA I.M	100MF 20% 6.3V			R6026	NRSA02J-393X	MG RESISTOR		
	C6031	QEKC1AM-227Z	E.CAPA I.M	220MF 20% 10V			R6027	NRSA02J-393X	MG RESISTOR		
	C6032	QEKC0JM-107Z	E.CAPA I.M	100MF 20% 6.3V			R6028	NRSA02J-393X	MG RESISTOR		
	C6051	NDC21HJ-120X	C CAPACITOR				R6029	NRSA02J-393X	MG RESISTOR		
	C6052	NDC21HJ-150X	C CAPACITOR				R6031	NRSA02J-0R0X	MG RESISTOR		
	C6053	NCB21HK-223X	C CAPACITOR				R6032	NRSA02J-0R0X	MG RESISTOR		
	C6055	NCB21EK-473X	C CAPACITOR				R6041	NRSA02J-433X	MG RESISTOR		
	C6058	NCS21HJ-6R0X	C CAPACITOR				R6042	NRSA02J-472X	MG RESISTOR		
	C6061	NCS21HJ-471X	C CAPACITOR				R6043	NRSA02J-123X	MG RESISTOR		
	C6062	NCB21HK-223X	C CAPACITOR				R6044	NRSA02J-563X	MG RESISTOR		
	C6063	NCB21HK-223X	C CAPACITOR				R6045	NRSA02J-433X	MG RESISTOR		
	C6064	NCB21HK-223X	C CAPACITOR				R6046	NRSA02J-0R0X	MG RESISTOR		
	C6065	NCB21CK-334X	C CAPACITOR				R6047	NRSA02J-332X	MG RESISTOR		
	C6071	NCB21HK-222X	C CAPACITOR				R6048	NRSA02J-222X	MG RESISTOR		
	C6072	NCB21HK-222X	C CAPACITOR				R6049	NRSA02J-152X	MG RESISTOR		
	C6073	QEKC1AM-227Z	E.CAPA I.M	220MF 20% 10V			R6050	NRSA02J-332X	MG RESISTOR		
	C6074	QEKC1AM-227Z	E.CAPA I.M	220MF 20% 10V			R6051	NRSA02J-102X	MG RESISTOR		
	C6075	NCB21HK-102X	C CAPACITOR				R6052	NRSA02J-102X	MG RESISTOR		
	C6076	NCB21HK-102X	C CAPACITOR				R6053	NRSA02J-102X	MG RESISTOR		
	C6077	NCB21HK-223X	C CAPACITOR				R6054	NRSA02J-102X	MG RESISTOR		
	C6080	QEKC1AM-227Z	E.CAPA I.M	220MF 20% 10V			R6055	NRSA02J-102X	MG RESISTOR		
	C6081	QEKC1AM-227Z	E.CAPA I.M	220MF 20% 10V			R6056	NRSA02J-0R0X	MG RESISTOR		
	C6083	NCB21HK-223X	C CAPACITOR				R6057	NRSA02J-0R0X	MG RESISTOR		
	C6089	NCB21HK-472X	C CAPACITOR				R6058	NRSA02J-0R0X	MG RESISTOR		
	C6090	NCB21HK-153X	C CAPACITOR				R6059	NRSA02J-471X	MG RESISTOR		
	C6091	QEKF1HM-105Z	NP E CAPACITOR	1.0MF 20% 50V			R6060	NRSA02J-471X	MG RESISTOR		
	C6092	QEKF1HM-225Z	E CAPACITOR	2.2MF 20% 50V			R6061	NRSA02J-104X	MG RESISTOR		
	C6094	NCB21HK-104X	C CAPACITOR				R6063	NRSA02J-124X	MG RESISTOR		
	C6096	NCS21HJ-391X	C CAPACITOR				R6064	NRSA02J-681X	MG RESISTOR		
	C6097	NCS21HJ-391X	C CAPACITOR				R6066	NRSA02J-220X	MG RESISTOR		
	C6098	NCS21HJ-391X	C CAPACITOR				R6067	NRSA02J-220X	MG RESISTOR		
	C6099	NCS21HJ-391X	C CAPACITOR				R6068	NRSA02J-220X	MG RESISTOR		
	C6154	NCS21HJ-151X	C CAPACITOR				R6069	NRSA02J-155X	MG RESISTOR		
	C6156	NCS21HJ-151X	C CAPACITOR				R6071	NRSA02J-102X	MG RESISTOR		
	C6157	NCS21HJ-151X	C CAPACITOR				R6072	NRSA02J-102X	MG RESISTOR		
	C6158	NCS21HJ-151X	C CAPACITOR				R6076	NRSA02J-0R0X	MG RESISTOR		
	D6061	1SS355-X	DIODE				R6080	NRSA02J-0R0X	MG RESISTOR		
	D6062	1SS355-X	DIODE				R6081	NRSA02J-0R0X	MG RESISTOR		

■ Electrical parts list (CD board)

Block No. 03

△	Item	Parts number	Parts name	Remarks	Area
	R6082	NRSA02J-392X	MG RESISTOR		
	R6121	NRSA02J-101X	MG RESISTOR		
	R6124	NRSA02J-0R0X	MG RESISTOR		
	W 604	QJP001-032001	SHI CR C-B WIRE		
	X6051	QAX0413-001Z	CRYSTAL		

■ Electrical parts list (Head amp board)

Block No. 04

△	Item	Parts number	Parts name	Remarks	Area	△	Item	Parts number	Parts name	Remarks	Area
	C 101	NCS21HJ-821X	C CAPACITOR	820PF 5% 50V			IC 33	BU4094BCF-X	IC		
	C 102	NCS21HJ-221X	C CAPACITOR	220PF 5% 50V			L 301	QQR0620-001	OSC COIL(BIAS)		
	C 103	QEKJ0JM-227Z	E CAPACITOR	220MF 20% 6.3V			L 303	QQL01BK-100Z	INDUCTOR		
	C 104	NCB21HK-333X	C CAPACITOR	.033MF 10% 50V			Q 101	DTC114TKA-X	TRANSISTOR		
	C 105	NCB21HK-222X	C CAPACITOR	2200PF 10% 50V			Q 102	DTC114TKA-X	TRANSISTOR	REC EQ CONT.	
	C 106	QEKJ1CM-106Z	E CAPACITOR	10MF 20% 16V			Q 201	DTC114TKA-X	TRANSISTOR		
	C 107	NCS21HJ-561X	C CAPACITOR	560PF 5% 50V			Q 202	DTC114TKA-X	TRANSISTOR	REC EQ CONT.	
	C 108	QEKJ1EM-475Z	E CAPACITOR	4.7MF 20% 25V			Q 301	DTA144EKA-X	TRANSISTOR	REC EQ CONT.	
	C 109	QEKJ1EM-475Z	E CAPACITOR	4.7MF 20% 25V			Q 302	2SC2001/K-T	TR I/M		
	C 110	NCB21HK-682X	C.CAPA. C.M	6800PF 10% 50V			Q 303	2SC2001/K-T	TR I/M		
	C 111	NCB21HK-122X	C CAPACITOR	1200PF 10% 50V			Q 304	2SC2001/LK-T	TRANSISTOR		
	C 112	NCB21EK-683X	C CAPACITOR	.068MF 10% 25V			Q 305	2SC2001/LK-T	TRANSISTOR		
	C 113	NCB21HK-222X	C CAPACITOR	2200PF 10% 50V			Q 306	2SC2412K/RS-X	CHIP TR.C.M		
	C 121	NCS21HJ-331X	C CAPACITOR	330PF 5% 50V			Q 307	2SC2412K/RS-X	CHIP TR.C.M		
	C 201	NCS21HJ-821X	C CAPACITOR	820PF 5% 50V			Q 308	2SC2412K/RS-X	CHIP TR.C.M		
	C 202	NCS21HJ-221X	C CAPACITOR	220PF 5% 50V			Q 309	2SC2412K/RS-X	CHIP TR.C.M		
	C 203	QEKJ0JM-227Z	E CAPACITOR	220MF 20% 6.3V			Q 321	DTC144EKA-X	TRANSISTOR		
	C 204	NCB21HK-333X	C CAPACITOR	.033MF 10% 50V			Q 323	2SC2412K/RS-X	CHIP TR.C.M		
	C 205	NCB21HK-222X	C CAPACITOR	2200PF 10% 50V			Q 371	2SA952/LK-T	TRANSISTOR	MOTER+B	
	C 206	QEKJ1CM-106Z	E CAPACITOR	10MF 20% 16V			Q 372	DTC124EKA-X	TRANSISTOR		
	C 207	NCS21HJ-561X	C CAPACITOR	560PF 5% 50V			Q 375	2SB562/C-T	TRANSISTOR	SOLENOID DRIVE	
	C 208	QEKJ1EM-475Z	E CAPACITOR	4.7MF 20% 25V			Q 376	2SC2412K/RS-X	CHIP TR.C.M		
	C 209	QEKJ1EM-475Z	E CAPACITOR	4.7MF 20% 25V			R 101	NRSA02J-220X	MG RESISTOR	22 5% 1/10W	
	C 210	NCB21HK-682X	C.CAPA. C.M	6800PF 10% 50V			R 102	NRSA02J-182X	MG RESISTOR	1.8K 5% 1/10W	
	C 211	NCB21HK-122X	C CAPACITOR	1200PF 10% 50V			R 103	NRSA02J-242NY	MG RESISTOR	2.4K 5% 1/10W	
	C 212	NCB21EK-683X	C CAPACITOR	.068MF 10% 25V			R 104	NRSA02J-122X	MG RESISTOR	1.2K 5% 1/10W	
	C 213	NCB21HK-222X	C CAPACITOR	2200PF 10% 50V			R 105	NRSA02J-104X	MG RESISTOR	100K 5% 1/10W	
	C 221	NCS21HJ-331X	C CAPACITOR	330PF 5% 50V			R 106	NRSA02J-332X	MG RESISTOR	3.3K 5% 1/10W	
	C 301	QEKJ1AM-107Z	E CAPACITOR	100MF 20% 10V			R 107	NRSA02J-123X	RES. C.M	12K 5% 1/10W	
	C 302	NCB21HK-393X	C CAPACITOR	.039MF 10% 50V			R 108	NRSA02J-562X	MG RESISTOR	5.6K 5% 1/10W	
	C 303	QEKJ0JM-227Z	E CAPACITOR	220MF 20% 6.3V			R 109	NRSA02J-122X	MG RESISTOR	1.2K 5% 1/10W	
	C 304	QEKJ1CM-226Z	E CAPACITOR	22MF 20% 16V			R 110	NRSA02J-472X	RES. C.M	4.7K 5% 1/10W	
	C 305	QEKJ1CM-226Z	E CAPACITOR	22MF 20% 16V			R 111	NRSA02J-333X	MG RESISTOR	33K 5% 1/10W	
	C 306	QEKJ1CM-476Z	E CAPACITOR	47MF 20% 16V			R 112	NRSA02J-222X	MG RESISTOR	2.2K 5% 1/10W	
	C 307	NCB21HK-103X	C CAPACITOR	.010MF 10% 50V			R 113	NRSA02J-472X	RES. C.M	4.7K 5% 1/10W	
	C 308	NCB21HK-562X	C CAPACITOR	5600PF 10% 50V			R 114	NRSA02J-272X	MG RESISTOR	2.7K 5% 1/10W	
	C 309	NCB21HK-562X	C CAPACITOR	5600PF 10% 50V			R 116	NRSA02J-102X	RES. C.M	1.0K 5% 1/10W	
	C 310	NCB21HK-223X	C CAPACITOR	.022MF 10% 50V			R 121	NRSA02J-102X	RES. C.M	1.0K 5% 1/10W	
	C 311	NCB21HK-682X	C.CAPA. C.M	6800PF 10% 50V			R 201	NRSA02J-220X	MG RESISTOR	22 5% 1/10W	
	C 313	QEKJ1AM-107Z	E CAPACITOR	100MF 20% 10V			R 202	NRSA02J-182X	MG RESISTOR	1.8K 5% 1/10W	
	C 314	QCZ0205-155Z	ML C CAP I/M	1.5MF			R 203	NRSA02J-242NY	MG RESISTOR	2.4K 5% 1/10W	
	C 315	QCZ0205-155Z	ML C CAP I/M	1.5MF			R 204	NRSA02J-122X	MG RESISTOR	1.2K 5% 1/10W	
	C 316	QFG32AJ-103Z	PP CAPACITOR	.010MF 5% 100V			R 205	NRSA02J-104X	MG RESISTOR	100K 5% 1/10W	
	C 318	NCB21HK-103X	C CAPACITOR	.010MF 10% 50V			R 206	NRSA02J-332X	MG RESISTOR	3.3K 5% 1/10W	
	C 319	QFG32AJ-821Z	TF CAPACITOR	820PF 5% 100V			R 207	NRSA02J-123X	RES. C.M	12K 5% 1/10W	
	C 321	NCB21HK-103X	C CAPACITOR	.010MF 10% 50V			R 208	NRSA02J-562X	MG RESISTOR	5.6K 5% 1/10W	
	C 322	QFG32AJ-152Z	M CAPACITOR	1500PF 5% 100V			R 209	NRSA02J-122X	MG RESISTOR	1.2K 5% 1/10W	
	C 331	QEKJ1CM-476Z	E CAPACITOR	47MF 20% 16V			R 210	NRSA02J-472X	RES. C.M	4.7K 5% 1/10W	
	C 351	QEK41CM-106	E CAPACITOR	10MF 20% 16V			R 211	NRSA02J-333X	MG RESISTOR	33K 5% 1/10W	
	C 371	QEKJ1EM-475Z	E CAPACITOR	4.7MF 20% 25V			R 212	NRSA02J-222X	MG RESISTOR	2.2K 5% 1/10W	
	C 374	QEKJ1AM-107Z	E CAPACITOR	MOTOR +B			R 213	NRSA02J-472X	RES. C.M	4.7K 5% 1/10W	
	C 375	QEKJ1AM-107Z	E CAPACITOR	100MF 20% 10V			R 214	NRSA02J-272X	MG RESISTOR	2.7K 5% 1/10W	
	C 376	NCB21HK-103X	C CAPACITOR	.010MF 10% 50V			R 216	NRSA02J-102X	RES. C.M	1.0K 5% 1/10W	
	CN 31	QGF1205F1-06	CONNECTOR	PRI/HEAD			R 221	NRSA02J-102X	RES. C.M	1.0K 5% 1/10W	
	CN 32	QGB2011M1-10	PWB CONECTOR	PRI/MECHA			R 301	NRS181J-221X	MG RESISTOR	220 5% 1/8W	
	CN 33	QGF1205F1-09	CONNECTOR	PRI/MICON			R 303	NRSA02J-393X	MG RESISTOR	39K 5% 1/10W	
	CN 34	QGF1205F1-10	CONNECTOR	PRI/AMP			R 304	NRS181J-101X	MG RESISTOR	100 5% 1/8W	
	D 301	MA152WA-X	DIODE				R 305	NRSA02J-222X	MG RESISTOR	2.2K 5% 1/10W	
	D 309	MA704A-X	S.K.DIODE				R 306	NRSA02J-222X	MG RESISTOR	2.2K 5% 1/10W	
	D 375	MA3051/M-X	ZENER DIODE				R 310	NRS181J-560X	MG RESISTOR	56 5% 1/8W	
	FW 31	QUM024-06A2Z3	EF FLAT				R 311	NRS181J-560X	MG RESISTOR	56 5% 1/8W	
	IC 31	BA3126N	IC	HEAD SW			R 313	NRSA02J-3R3NY	RES. C.M	3.3 5% 1/10W	
	IC 32	AN7317	IC	PB&REC			R 314	NRSA02J-223X	RES. C.M	22K 5% 1/10W	

■ Electrical parts list (Head amp board) Block No. 04

△	Item	Parts number	Parts name	Remarks	Area
	R 315	NRSA02J-100X	MG RESISTOR	10 5% 1/10W	
	R 316	NRSA02J-223X	RES. C.M	22K 5% 1/10W	
	R 317	NRSA02J-100X	MG RESISTOR	10 5% 1/10W	
	R 319	NRSA02J-152X	MG RESISTOR	1.5K 5% 1/10W	
	R 322	NRSA02J-152X	MG RESISTOR	1.5K 5% 1/10W	
	R 327	NRSA02J-474X	MG RESISTOR	470K 5% 1/10W	
	R 332	NRSA02J-123X	RES. C.M	12K 5% 1/10W	
	R 333	NRSA02J-123X	RES. C.M	12K 5% 1/10W	
	R 335	NRSA02J-152X	MG RESISTOR	1.5K 5% 1/10W	
	R 336	NRSA02J-472X	RES. C.M	4.7K 5% 1/10W	
	R 337	NRSA02J-332X	MG RESISTOR	3.3K 5% 1/10W	
	R 338	NRSA02J-392X	MG RESISTOR	3.9K 5% 1/10W	
	R 339	NRSA02J-222X	MG RESISTOR	2.2K 5% 1/10W	
	R 340	NRS181J-391X	MG RESISTOR	390 5% 1/8W	
	R 341	NRSA02J-123X	RES. C.M	12K 5% 1/10W	
	R 342	NRSA02J-203X	MG RESISTOR	20K 5% 1/10W	
	R 343	NRSA02J-183X	MG RESISTOR	18K 5% 1/10W	
	R 351	NRSA02J-683X	MG RESISTOR	68K 5% 1/10W	
	R 352	NRSA02J-912X	RES. C.M	9.1K 5% 1/10W	
	R 371	NRSA02J-123X	RES. C.M	12K 5% 1/10W	
	R 372	NRSA02J-102X	RES. C.M	1.0K 5% 1/10W	
	R 375	NRSA02J-151X	MG RESISTOR	150 5% 1/10W	
	R 376	NRSA02J-472X	RES. C.M	4.7K 5% 1/10W	
	VR 31	QVP0008-503Z	SEMI V RESISTOR	BIAS ADJ	
	VR 32	QVP0008-503Z	SEMI V RESISTOR	BIAS ADJ	
	VR 37	QVP0008-103Z	SEMI V RESISTOR	TAPE SPEED ADJ	

■ Electrical parts list (Cassette switch board) Block No. 05

△	Item	Parts number	Parts name	Remarks	Area
	CN 1	QGB2011L1-10	10P PLUG ASSY		
	D 1	1SR139-400-T2	SI DIODE		
	IC 1	SG-105F3-BB,C	PHOTO SENSER		
	P 1	QNZ0104-001	POST PIN		
	SW 1	QSW0832-001	CASSETTE SWITCH	R.REC	
	SW 2	QSW0832-001	CASSETTE SWITCH	TAPE	
	SW 4	QSW0832-001	CASSETTE SWITCH	70U	
	SW 5	QSW0832-001	CASSETTE SWITCH	F.REC	
	SW 6	QSW0859-001	SWITCH		

■ Electrical parts list (Tuner board)

Block No. 06

△	Item	Parts number	Parts name	Remarks	Area	△	Item	Parts number	Parts name	Remarks	Area
	C 1	NCB21HK-223X	C CAPACITOR				CF 1	VCF2L3B-105Z	CERAMIC FILTER	FS-V30/UX-V30	J,UB,UP,US,UT,UY
	C 2	NCB21HK-103X	C CAPACITOR				CF 1	QAX0420-001	CERAMIC FILTER	UX-V30	A
	C 3	EETC1CM-106ZJC	E.CAPACITOR				CF 2	QAX0458-001Z	CERAMIC FILTER	UX-V30	A
	C 4	NCB21HK-103X	C CAPACITOR				CF 2	VCF2L3B-105Z	CERAMIC FILTER	FS-V30/UX-V30	J,UB,UP,US,UT,UY
	C 6	NCB21HK-102X	C CAPACITOR				CF 3	QAX0610-001Z	C DISCRIMINATOR		
	C 7	NCB21HK-102X	C CAPACITOR				CN 1	QGF1205F1-09	CONNECTOR		
	C 8	NCB21HK-102X	C CAPACITOR				D 1	1SS133-T2	SI DIODE		
	C 9	NCB21HK-102X	C CAPACITOR	UX-V30	A		D 2	1SS133-T2	SI DIODE		
	C 10	NCS21HJ-120X	C.CAPACITOR	UX-V30	A		D 3	1SS133-T2	SI DIODE		
	C 10	NRSA02J-0R0X	RES.C.M	FS-V30/UX-V30	J,UB,UP,US,UT,UY		D 4	1SS133-T2	SI DIODE		
	C 11	NCB21HK-104X	C CAPACITOR				D 11	1SS133-T2	SI DIODE		
	C 12	NCB21HK-473X	C CAPACITOR				IC 1	LA1838	IC		
	C 13	NCS21HJ-120X	C CAPACITOR				IC 2	LC72136N	IC		
	C 14	QEK1AM-107Z	E.CAPACITOR	100MF 20% 10V			J 1	QNB0014-001	ANT TERMINAL		
	C 15	NCS21HJ-120X	C CAPACITOR				L 1	QQR1094-001	COIL BLOCK	UX-V30	A
	C 16	NCS21HJ-120X	C CAPACITOR				L 1	QQR0796-002	BLOCK COIL	FS-V30/UX-V30	J,UB,UP,US,UT,UY
	C 17	NCB21HK-392X	C CAPACITOR				Q 1	2SC2814/4-5/-X	TRANSISTOR		
	C 18	QEQ61HM-474Z	N.P.E. CAPA	UX-V30	A,UB,UP,US,UT,UY		Q 2	2SC2412K/R/-X	SI.TRANSISTOR	UX-V30	A
	C 18	QENC1HM-474Z	N.P.E. CAPA	FS-V30	J		Q 3	2SC2412K/R/-X	SI.TRANSISTOR	UX-V30	A
	C 19	NCB21HK-473X	C CAPACITOR				Q 4	DTA114YKA-X	DIGI.TRANSISTOR	UX-V30	A
	C 20	NCB21HK-102X	C CAPACITOR				Q 5	DTA114YKA-X	TRANSISTOR		
	C 21	NCB21HK-223X	C CAPACITOR				R 1	QRE141J-560Y	C RESISTOR	FS-V30/US-V30	J,UB,UP,US,UT,UY
	C 22	NCS21HJ-151X	C CAPACITOR				R 2	NRSA02J-331X	MG RESISTOR		
	C 23	NCS21HJ-151X	C CAPACITOR				R 3	NRSA02J-224X	MG RESISTOR		
	C 24	NCS21HJ-151X	C CAPACITOR				R 4	NRSA02J-331X	MG RESISTOR		
	C 25	QEK1AM-107Z	E.CAPACITOR	100MF 20% 10V			R 5	NRSA02J-560X	MG RESISTOR		
	C 26	NCB21HK-102X	C CAPACITOR				R 6	NRSA02J-240X	RES. C.M	FS-V30/UX-V30	J,UB,UP,US,UT,UY
	C 27	NCB21HK-102X	C CAPACITOR				R 10	NRSA02J-222X	MG RESISTOR		
	C 30	EETC1CM-107ZJC	E CAPACITOR				R 13	NRSA02J-103X	MG RESISTOR		
	C 31	QEK1CM-226Z	E CAPACITOR	22MF 20% 16V			R 14	NRSA02J-104X	MG RESISTOR		
	C 32	NCB21HK-473X	C CAPACITOR				R 15	NRSA02J-332X	MG RESISTOR		
	C 33	NCB21HK-473X	C CAPACITOR				R 16	NRSA02J-472X	MG RESISTOR		
	C 34	NCB21HK-223X	C CAPACITOR				R 17	QRZ9005-680X	F.RES I/M	68 1/0W	
	C 35	NCB21HK-473X	C CAPACITOR				R 18	NRSA02J-102X	MG RESISTOR		
	C 36	EETC1HM-105ZJC	E.CAPA. I.M				R 19	NRSA02J-102X	MG RESISTOR		
	C 37	EETC1HM-105ZJC	E.CAPA. I.M				R 20	NRSA02J-102X	MG RESISTOR		
	C 38	EETC1HM-224ZJC	E.CAPA. I.M				R 21	NRSA02J-562X	MG RESISTOR		
	C 39	EETC1HM-105ZJC	E.CAPA. I.M				R 22	NRSA02J-472X	MG RESISTOR		
	C 40	QETN1CM-106Z	E CAPACITOR	10MF 20% 16V			R 23	NRSA02J-182X	MG RESISTOR		
	C 41	QETN1CM-106Z	E CAPACITOR	10MF 20% 16V			R 24	NRSA02J-103X	MG RESISTOR		
	C 42	NCB21HK-152X	C CAPACITOR	UX-V30	UB,UP,US,UT,UY		R 25	NRSA02J-331X	MG RESISTOR		
	C 42	NCB21HK-182X	C CAPACITOR	UX-V30	A		R 26	NRSA02J-222X	MG RESISTOR		
	C 42	NCB21HK-222X	C CAPACITOR	FS-V30	J		R 27	NRSA02J-103X	MG RESISTOR		
	C 43	NCB21HK-222X	C CAPACITOR	FS-V30	J		R 28	NRSA02J-103X	MG RESISTOR		
	C 43	NCB21HK-182X	C CAPACITOR	UX-V30	A		R 29	NRSA02J-103X	MG RESISTOR		
	C 43	NCB21HK-152X	C CAPACITOR	UX-V30	UB,UP,US,UT,UY		R 30	NRSA02J-122X	MG RESISTOR		
	C 44	QETN1CM-106Z	E CAPACITOR	10MF 20% 16V			R 31	NRSA02J-102X	MG RESISTOR		
	C 45	QETN1CM-106Z	E CAPACITOR	10MF 20% 16V			R 32	NRSA02J-102X	MG RESISTOR		
	C 46	NCB21HK-273X	C CAPACITOR	FS-V30/UX-V30	J,UB,UP,US,UT,UY		R 33	NRSA02J-331X	MG RESISTOR		
	C 46	NCB21HK-223X	CER.CAPACITOR	UX-V30	A		R 34	NRSA02J-470X	MG RESISTOR		
	C 47	EETC1HM-105ZJC	E.CAPA. I.M				R 35	NRSA02J-562X	MG RESISTOR		
	C 48	NCB21HK-222X	C CAPACITOR				R 36	NRSA02J-332X	MG RESISTOR		
	C 49	NCS21HJ-471X	C CAPACITOR				R 37	NRSA02J-103X	MG RESISTOR		
	C 50	QEK1CM-226Z	E CAPACITOR	22MF 20% 16V			R 38	NRSA02J-563X	MG RESISTOR	FS-V30/UX-V30	J,UB,UP,US,UT,UY
	C 51	QEK1HM-105Z	E.CAPACITOR	1.0MF 20% 50V			R 39	NRSA02J-563X	MG RESISTOR	FS-V30/UX-V30	J,UB,UP,US,UT,UY
	C 52	QFV1HJ-274Z	CAPACITOR	.27MF 5% 50V			R 40	NRSA02J-243X	MG RESISTOR	FS-V30/UX-V30	J,UB,UP,US,UT,UY
	C 53	EETC1CM-226ZJC	E.CAPA. I.M				R 41	NRSA02J-332X	MG RESISTOR		
	C 54	NCB21HK-473X	C CAPACITOR				R 60	NRSA02J-0R0X	MG RESISTOR		
	C 55	NCS21HJ-330X	C.CAPACITOR	UX-V30	A		T 1	QQR0793-001	IFT		
	C 56	NCS21HJ-100X	C.CAPACITOR	UX-V30	A		TU 1	QAU0161-001	FRONT END	FS-V30/UX-V30	J,UB,UP,US,UT,UY
	C 57	NCB21HK-102X	C CAPACITOR				TU 1	QAU0160-001	FM FRONT END	UX-V30	A
	C 58	NCB21HK-473X	C CAPACITOR				X 1	QAX0402-001	CRYSTAL		
	C 59	NCB21HK-102X	C CAPACITOR								

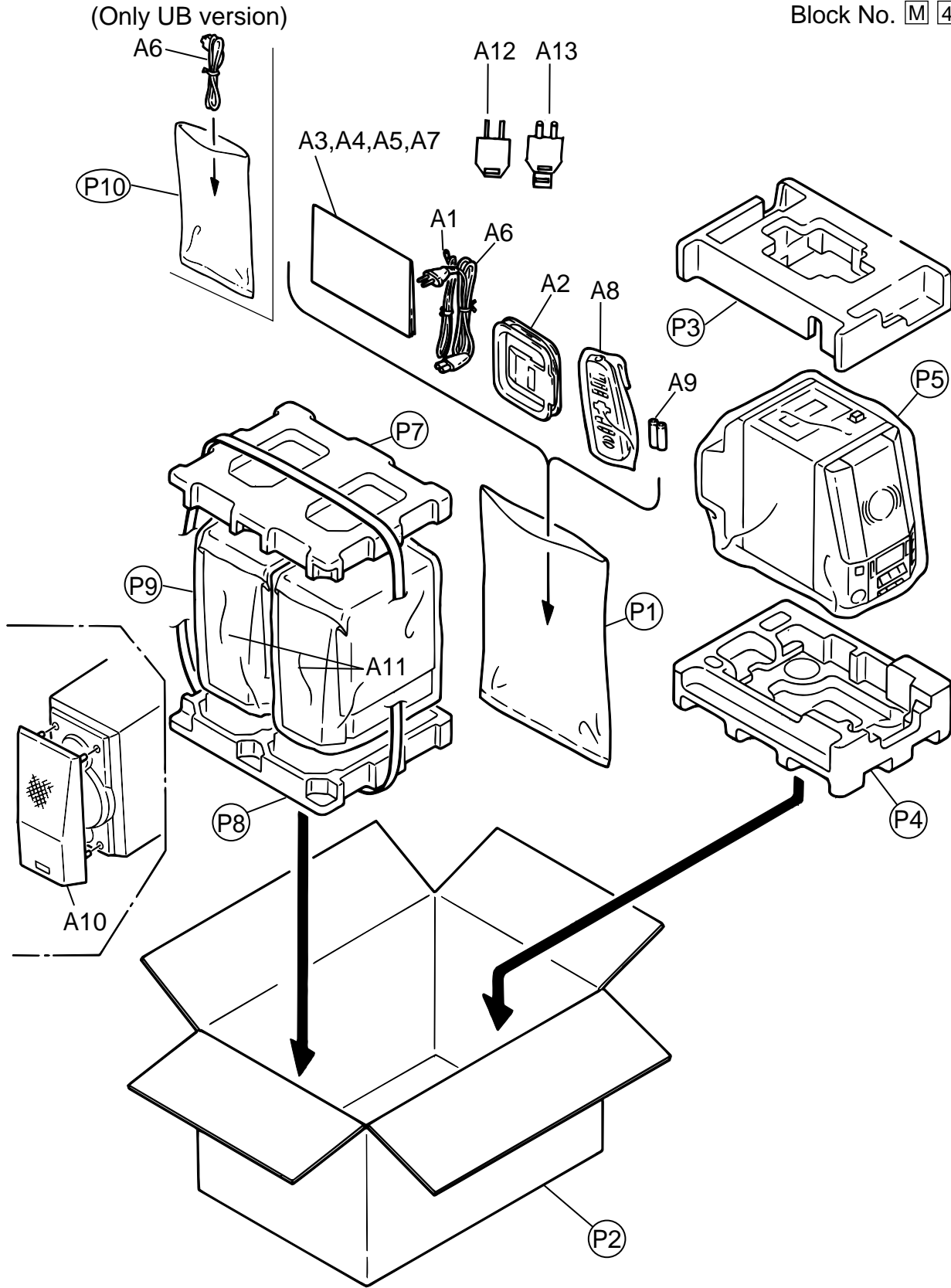
Packing materials and accessories parts list

Block No.

M	3	M	M
---	---	---	---

Block No.

M	4	M	M
---	---	---	---



■ Packing parts list

Block No. M3MM

△	Item	Parts number	Parts name	Q'ty	Description	Area
	P 1	QPA02503503P	POLY BAG	1	FOR INST. BOOK	
	P 2	GV20060-001A	PACKING CASE	1	UX-V30	
		GV20061-002A	PACKING CASE	1	FS-V30	
	P 3	GV10038-001A	CUSHION(TOP)	1		
	P 4	GV10039-001A	CUSHION(BOTTOM)	1		
	P 5	QPC05005015P	POLY BAG	1		
	P 6	QPA01503503	POLY BAG	1	UX-V30	UB
	P 7	8000041211	CUSHION(TOP)	1	FOR SPEAKER	
	P 8	8000041201	CUSHION(BOTTOM)	1	FOR SPEAKER	
	P 9	8500032741	POLY BAG	2	FOR SPEAKER	

■ Accessories list

Block No. M4MM

△	Item	Parts number	Parts name	Q'ty	Description	Area
	A 1	EWP503-001	ANTENNA WIRE	1		
	A 2	QAL0014-001	AM LOOP ANT	1		
	A 3	GVT0032-005A	INST BOOK	1	UX-V30 (ENG)	A
		GVT0032-001A	INST.BOOK	1	FS-V30 (ENG,FRE)	J
		GVT0032-003A	INST.BOOK	1	UX-V30 (ENG,SPA,CHI)	UB US UT UY
		GVT0032-004A	INST.BOOK	1	UX-V30 (KOR)	UP
	A 4	BT-56001-2	W CARD	1	UX-V30	A
	A 5	BT-56002-2	SVC CENTER LIST	1	UX-V30	A
△	A 6	QMPL060-183-JD	POWER CORD	1	UX-V30	US
△		VMP0121-001	POWER CORD	1	UX-V30	UP
△		QMPP060-183-JD	POWER CORD	1	UX-V30	UB
△		QMPS050-183-JC	POWER CORD	1	UX-V30	UY
△		QMPS040-183-JD	POWER CORD	1	UX-V30	UT
△		QMPE180-183-JN	POWER CORD	1	FS-V30	J
△		QMPH010-183-JD	POWER CORD	1	UX-V30	A
	A 7	BT-56004-6	W.CORD	1	UX-V30	UP
	A 8	RM-RXUV3	REMOCON	1	UX-V30	
		RM-RXFSV5	REMOCON	1	FS-V30	
	A 9	-----	BATTERY	2		
	A 10	9908700201	SARAN BOARD	2		
	A 11	UXV30R-SPBOX	SPEAKER BOX	2		
△	A 12	QAM0112-001	AC PLUG ADAPTER	1	UX-V30	US
△	A 13	VMZ0139-001	CONNECT PLUG	1	UX-V30	UT